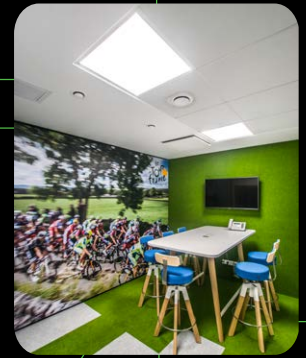
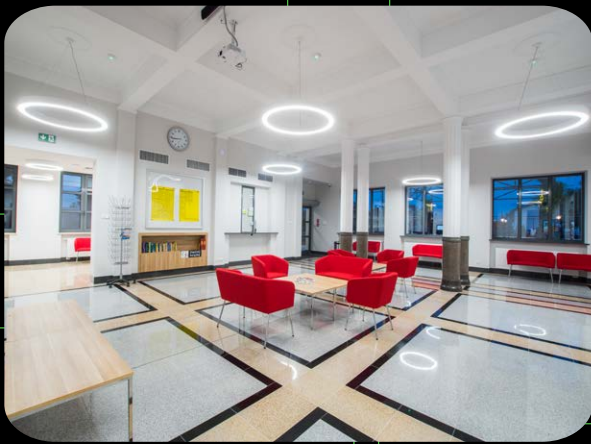


# LUXIONA



Lighting Solutions  
ARCHITECTURAL & OFFICES



## TABLE OF CONTENTS

### Surface/suspended mounted luminaires:

|                    |    |
|--------------------|----|
| ArtShape Round LED | 06 |
| ArtShape Three LED | 08 |
| ArtShape SQ LED    | 10 |
| ArtShape Six LED   | 12 |
| ArtShape Line LED  | 14 |
| ArtShape X LED     | 16 |
| ArtShape Oval LED  | 18 |
| Universal Line LED | 20 |
| Snake V LED        | 24 |
| Flying Surface LED | 26 |
| X-Line SQ N LED    | 28 |
| Essence LED        | 30 |

### Surface mounted luminaires:

|                   |    |
|-------------------|----|
| Beryl N New LED O | 32 |
| Beryl N New LED K | 34 |

### Suspended luminaires:

|                   |    |
|-------------------|----|
| Double Sphere LED | 36 |
|-------------------|----|

### Universal mounted luminaires:

|               |    |
|---------------|----|
| Aruna LED     | 38 |
| Europanel LED | 40 |

### Recessed luminaires:

|                      |    |
|----------------------|----|
| Mosaic LED           | 42 |
| Mosaic SQ LED        | 44 |
| Agat POS LED         | 46 |
| Agat LED Deco Smooth | 48 |
| Agat Slim LED        | 50 |
| Patos O LED          | 52 |
| Patos Line LED       | 54 |
| Beryl New LED O      | 56 |
| Beryl New LED K      | 58 |





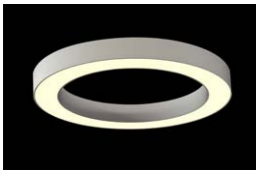
### LIGHT CONTROLLING IN CONFERENCE ROOMS AND OFFICE SPACES:


- allows to keep constant light intensity inside a building, including the level of natural light intensity (daylight), which ensures considerable savings and comfort of work,
- gives a possibility of fluent light intensity control by the users of the room depending on subjective tastes or needs to realize particular job,
- ensures the adjustment of colour temperature to individual requirements of the user (tunable white),
- allows an individual regulation of the light intensity level on big areas such as 'open space' (divided into zones illuminated by the groups of luminaries) or individual work stations,
- possibility of arranging lighting scenes so as to adjust lighting to currently performed tasks. It guarantees quick change of the way the room is illuminated and it ensures ideal conditions for example to conduct a presentation in a conference room,
- allows to switch on and switch off, taking into account fluent brightening and dimming depending on the movement and the presence of the people in the room, in the corridor or individual work place,
- gives cooperation possibility of control lighting system with other devices in the room, that is air conditioners, window blinds, audiovisuals etc.,
- possibility of integrated management of lighting system on big areas such as whole floors, buildings or few buildings as a complex of buildings. Utilization of advanced algorithms (daily, monthly, yearly) undoubtedly guarantees energy savings as well as allows utilization of special effects such as backlight of the office windows after work to colour which is characteristic for a particular company,
- gives a possibility of continual diagnosis how the lighting system works, also detection of luminaire malfunction including the possibility of monitoring by BMS.

## ARTSHAPE ROUND LED



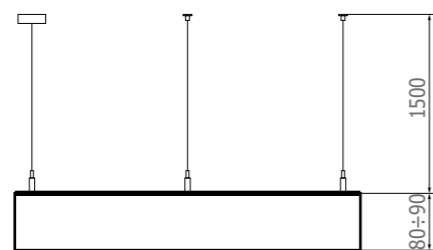
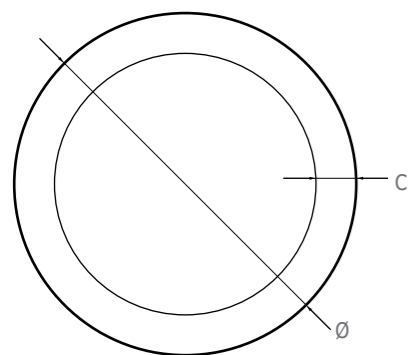
- Glamorous look which imparts modern character interiors
- Housing of the luminaire made of the aluminium profile
- Two versions: filled and with opening in the middle
- Three sizes: small, medium, large
- Possibility of illuminance control
- Possibility of colour temperature control (tunable-white version)
- Possibility of up & down light distribution (Up&Down version)
- Possibility of using colourful LEDs (RGB Edge version)
- Suspended mounting or ceiling mounting
- Lifetime of LED sources: 60000 h L80/B10
- SDCM = 3
- LEDs photobiological safety class: RG0
- Operating temperature range: 5 ÷ 30° C
- Slings 1,5 m available as a set with the luminaire
- Type of diffuser: PLX (opalised diffuser PMMA)
- Power supply: electronic (standard) or DIM DALI (optional)

| Version   | Name           | Size   | Luminaire power [W] | LED flux [lm] | Color of light [K] | CRI |
|---|----------------|--------|---------------------|---------------|--------------------|-----|
| <br>EDGE (IP40) | ARTSHAPE 3000  | small  | 25                  | 2845 / 2976   | 3000 / 4000        | >80 |
|   | ARTSHAPE 6000  | small  | 50                  | 5681 / 5940   | 3000 / 4000        | >80 |
|   | ARTSHAPE 9000  | small  | 70                  | 8521 / 8910   | 3000 / 4000        | >80 |
|   | ARTSHAPE 4500  | medium | 35                  | 4260 / 4455   | 3000 / 4000        | >80 |
|   | ARTSHAPE 9000  | medium | 70                  | 8521 / 8910   | 3000 / 4000        | >80 |
|   | ARTSHAPE 13500 | medium | 106                 | 12777 / 13365 | 3000 / 4000        | >80 |
|   | ARTSHAPE 6000  | large  | 50                  | 5680 / 5940   | 3000 / 4000        | >80 |
|   | ARTSHAPE 12000 | large  | 93                  | 11358 / 11880 | 3000 / 4000        | >80 |
|   | ARTSHAPE 18000 | large  | 142                 | 17036 / 17820 | 3000 / 4000        | >80 |

| Version   | Name           | Size   | Luminaire power [W] | LED flux [lm] | Color of light [K] | CRI |
|---|----------------|--------|---------------------|---------------|--------------------|-----|
| <br>FULL (IP20) | ARTSHAPE 4000  | small  | 35                  | 4280 / 4456   | 3000 / 4000        | >80 |
|   | ARTSHAPE 6000  | small  | 47                  | 5690 / 5952   | 3000 / 4000        | >80 |
|   | ARTSHAPE 9000  | small  | 74                  | 8892 / 9406   | 3000 / 4000        | >80 |
|   | ARTSHAPE 14000 | medium | 115                 | 13730 / 14356 | 3000 / 4000        | >80 |
|   | ARTSHAPE 24000 | large  | 195                 | 23763 / 24574 | 3000 / 4000        | >80 |

Standard colours:  RAL7016 (anthracite)  RAL9016 (white)  RAL9005 (black)

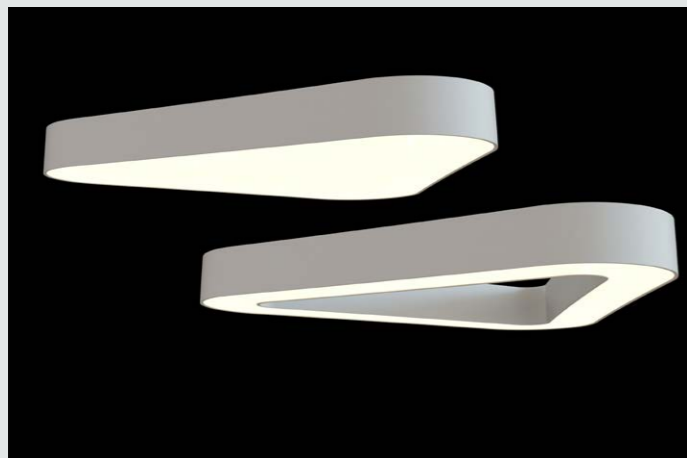
Dimensions:




| TYPE        | Ø (mm) | C (mm) |
|-------------|--------|--------|
| SMALL EDGE  | 650    | 80     |
| SMALL FULL  | 650    | -      |
| MEDIUM EDGE | 900    | 80     |
| MEDIUM FULL | 900    | -      |
| LARGE EDGE  | 1200   | 80     |
| LARGE FULL  | 1200   | -      |

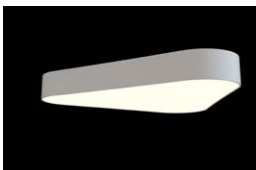


# ARTSHAPE THREE LED



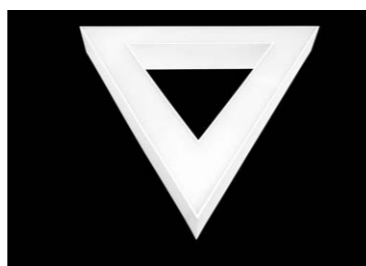
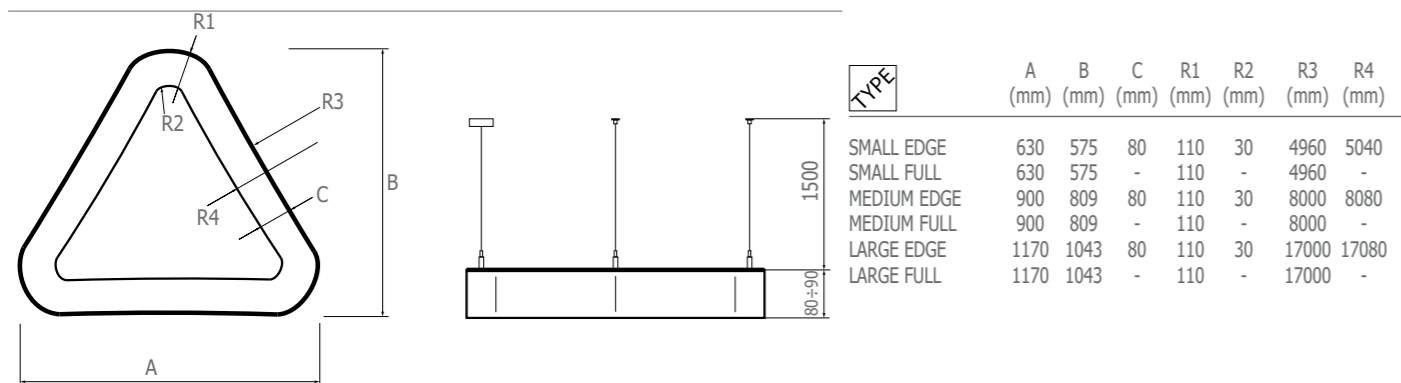
- Luminaire in the shape of a triangle, round-edges
- Glamorous look which imparts modern character interiors
- Housing of the luminaire made of the aluminium profile
- Two versions: filled and with opening in the middle
- Three sizes: small, medium, large
- Possibility of illuminance control
- Possibility of colour temperature control (tunable-white version)
- Possibility of up & down light distribution (Up&Down version)
- Possibility of using colourful LEDs (RGB Edge version)
- Suspended mounting or ceiling mounting
- Lifetime of LED sources: 60000 h L80/B10
- SDCM = 3
- LEDs photobiological safety class: RG0
- Operating temperature range: 5 ÷ 30° C
- Slings 1,5 m available as a set with the luminaire
- Type of diffuser: PLX (opalised diffuser PMMA)
- Power supply: electronic (standard) or DIM DALI (optional)

| Version  | Name           | Size   | Luminaire power [W] | LED flux [lm] | Color of light [K] | CRI |
|--|----------------|--------|---------------------|---------------|--------------------|-----|
|  | ARTSHAPE 3000  | small  | 25                  | 2840 / 2970   | 3000 / 4000        | >80 |
|  | ARTSHAPE 6000  | small  | 50                  | 5681 / 5940   | 3000 / 4000        | >80 |
|  | ARTSHAPE 4500  | medium | 35                  | 4262 / 4455   | 3000 / 4000        | >80 |
|  | ARTSHAPE 9000  | medium | 70                  | 8521 / 8910   | 3000 / 4000        | >80 |
|  | ARTSHAPE 6000  | large  | 50                  | 5681 / 5940   | 3000 / 4000        | >80 |
|  | ARTSHAPE 12000 | large  | 92                  | 11358 / 11880 | 3000 / 4000        | >80 |

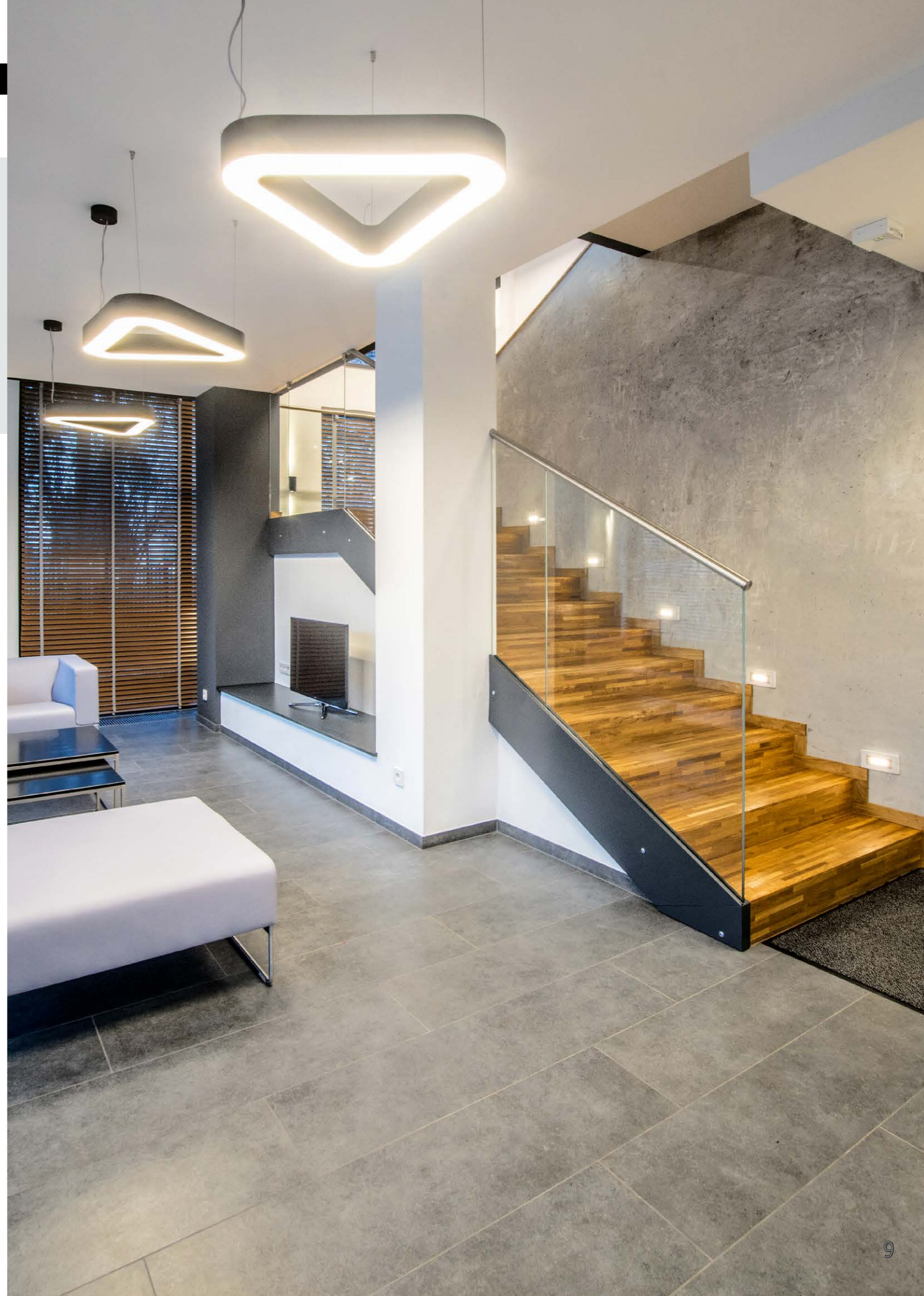
| Version  | Name           | Size   | Luminaire power [W] | LED flux [lm] | Color of light [K] | CRI |
|--|----------------|--------|---------------------|---------------|--------------------|-----|
|  | ARTSHAPE 3000  | small  | 32                  | 3790 / 3962   | 3000 / 4000        | >80 |
|  | ARTSHAPE 6000  | small  | 50                  | 5920 / 6192   | 3000 / 4000        | >80 |
|  | ARTSHAPE 11000 | medium | 90                  | 10415 / 10894 | 3000 / 4000        | >80 |
|  | ARTSHAPE 16000 | large  | 130                 | 15620 / 16338 | 3000 / 4000        | >80 |

Standard colors:  RAL7016 (anthracite)  RAL9016 (white)  RAL9005 (black)

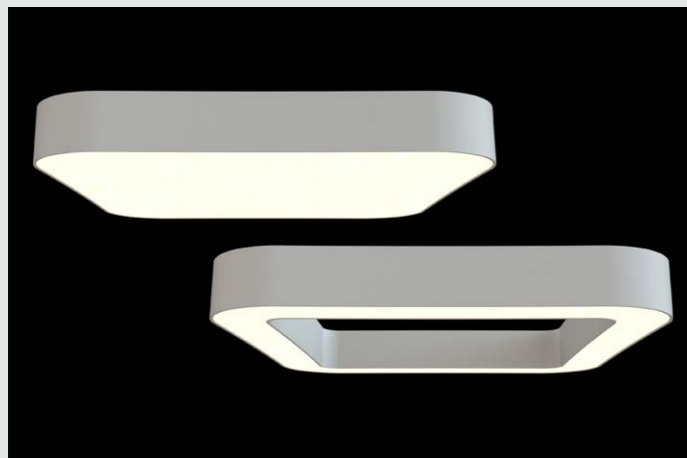
Dimensions:




ARTSHAPE THREE-SC EDGE Luminaire in version with „sharp“ edges

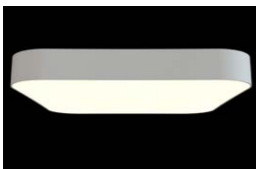


## ARTSHAPE SQ LED



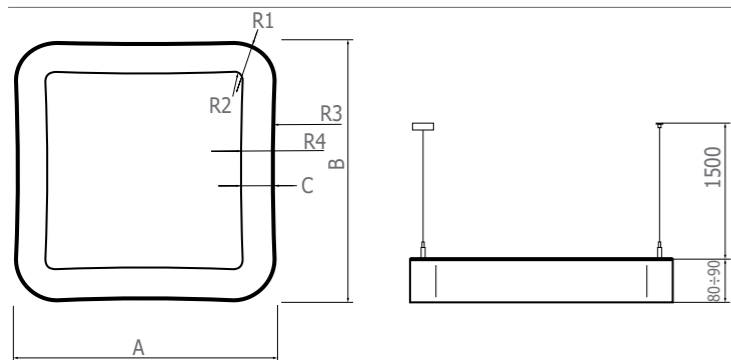
- Luminaire in the shape of a square, round-edges
- Glamorous look which imparts modern character interiors
- Housing of the luminaire made of the aluminium profile
- Two versions: filled and with opening in the middle
- Three sizes: small, medium, large
- Possibility of illuminance control
- Possibility of colour temperature control (tunable-white version)
- Possibility of up & down light distribution (Up&Down version)
- Possibility of using colorful LEDs (RGB Edge version)
- Suspended mounting or ceiling mounting
- Lifetime of LED sources: 60000 h L80/B10
- SDCM = 3
- LEDs photobiological safety class: RG0
- Operating temperature range: 5 ÷ 30° C
- Slings 1,5 m available as a set with the luminaire
- Type of diffuser: PLX (opalised diffuser PMMA)
- Power supply: electronic (standard) or DIM DALI (optional)

| Version  | Name           | Size   | Luminaire power [W] | LED flux [lm] | Color of light [K] | CRI |
|--|----------------|--------|---------------------|---------------|--------------------|-----|
|  | ARTSHAPE 4000  | small  | 32                  | 3800 / 3960   | 3000 / 4000        | >80 |
|  | ARTSHAPE 8000  | small  | 65                  | 7574 / 7920   | 3000 / 4000        | >80 |
|  | ARTSHAPE 6000  | medium | 50                  | 5681 / 5940   | 3000 / 4000        | >80 |
|  | ARTSHAPE 12000 | medium | 92                  | 11358 / 11880 | 3000 / 4000        | >80 |
|  | ARTSHAPE 8000  | large  | 65                  | 7574 / 7920   | 3000 / 4000        | >80 |
|  | ARTSHAPE 16000 | large  | 123                 | 15152 / 15840 | 3000 / 4000        | >80 |

| Version  | Name           | Size   | Luminaire power [W] | LED flux [lm] | Color of light [K] | CRI |
|--|----------------|--------|---------------------|---------------|--------------------|-----|
|  | ARTSHAPE 4500  | small  | 35                  | 4260 / 4455   | 3000 / 4000        | >80 |
|  | ARTSHAPE 8000  | small  | 65                  | 7572 / 7920   | 3000 / 4000        | >80 |
|  | ARTSHAPE 12000 | small  | 93                  | 11358 / 11880 | 3000 / 4000        | >80 |
|  | ARTSHAPE 17000 | medium | 140                 | 17050 / 17820 | 3000 / 4000        | >80 |
|  | ARTSHAPE 30000 | large  | 238                 | 28400 / 29700 | 3000 / 4000        | >80 |

Standard colors:  RAL7016 (anthracite)  RAL9016 (white)  RAL9005 (black)

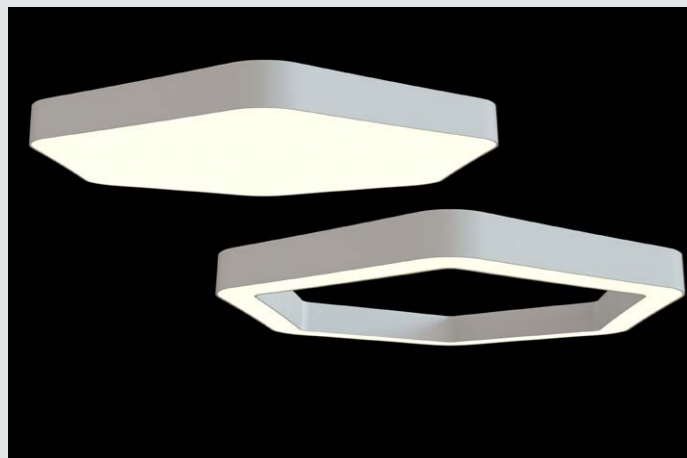
### Dimensions:




| TYPE        | A (mm) | B (mm) | C (mm) | R1 (mm) | R2 (mm) | R3 (mm) | R4 (mm) |
|-------------|--------|--------|--------|---------|---------|---------|---------|
| SMALL EDGE  | 660    | 660    | 80     | 110     | 30      | 4960    | 5040    |
| SMALL FULL  | 660    | 660    | -      | 110     | -       | 4960    | -       |
| MEDIUM EDGE | 930    | 930    | 80     | 110     | 30      | 11000   | 11080   |
| MEDIUM FULL | 930    | 930    | -      | 110     | -       | 11000   | -       |
| LARGE EDGE  | 1200   | 1200   | 80     | 110     | 30      | 17000   | 17080   |
| LARGE FULL  | 1200   | 1200   | -      | 110     | -       | 17000   | -       |

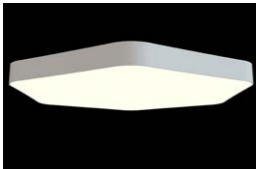


## ARTSHAPE SIX LED



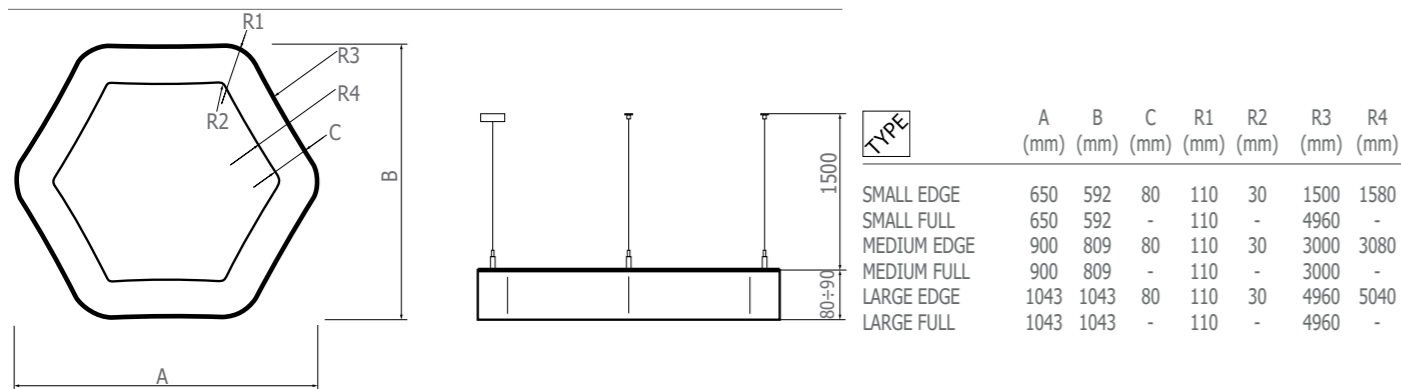
- Luminaire in the shape of a hexagon, round-edges
- Glamorous look which imparts modern character interiors
- Housing of the luminaire made of the aluminium profile
- Two versions: filled and with opening in the middle
- Three sizes: small, medium, large
- Possibility of illuminance control
- Possibility of colour temperature control (tunable-white version)
- Possibility of up & down light distribution (Up&Down version)
- Possibility of using colourful LEDs (RGB Edge version)
- Suspended mounting or ceiling mounting
- Lifetime of LED sources: 60000 h L80/B10
- SDCM = 3
- LEDs photobiological safety class: RG0
- Operating temperature range: 5 ÷ 30° C
- Slings 1,5 m available as a set with the luminaire
- Type of diffuser: PLX (opalised diffuser PMMA)
- Power supply: electronic (standard) or DIM DALI (optional)

| Version  | Name           | Size   | Luminaire power [W] | LED flux [lm] | Color of light [K] | CRI |
|--|----------------|--------|---------------------|---------------|--------------------|-----|
|  | ARTSHAPE 3000  | small  | 25                  | 2840 / 2970   | 3000 / 4000        | >80 |
|  | ARTSHAPE 6000  | small  | 50                  | 5681 / 5940   | 3000 / 4000        | >80 |
|  | ARTSHAPE 4500  | medium | 35                  | 4262 / 4455   | 3000 / 4000        | >80 |
|  | ARTSHAPE 9000  | medium | 70                  | 8521 / 8910   | 3000 / 4000        | >80 |
|  | ARTSHAPE 6000  | large  | 50                  | 5681 / 5940   | 3000 / 4000        | >80 |
|  | ARTSHAPE 12000 | large  | 92                  | 11358 / 11880 | 3000 / 4000        | >80 |

| Version  | Name           | Size   | Luminaire power [W] | LED flux [lm] | Color of light [K] | CRI |
|--|----------------|--------|---------------------|---------------|--------------------|-----|
|  | ARTSHAPE 3000  | small  | 28                  | 3313 / 3465   | 3000 / 4000        | >80 |
|  | ARTSHAPE 5500  | small  | 43                  | 5205 / 5445   | 3000 / 4000        | >80 |
|  | ARTSHAPE 8500  | small  | 66                  | 8048 / 8415   | 3000 / 4000        | >80 |
|  | ARTSHAPE 12000 | medium | 102                 | 12310 / 12874 | 3000 / 4000        | >80 |
|  | ARTSHAPE 21000 | large  | 172                 | 20830 / 21782 | 3000 / 4000        | >80 |

Standard colors:  RAL7016 (anthracite)  RAL9016 (white)  RAL9005 (black)

### Dimensions:



## ARTSHAPE LINE LED

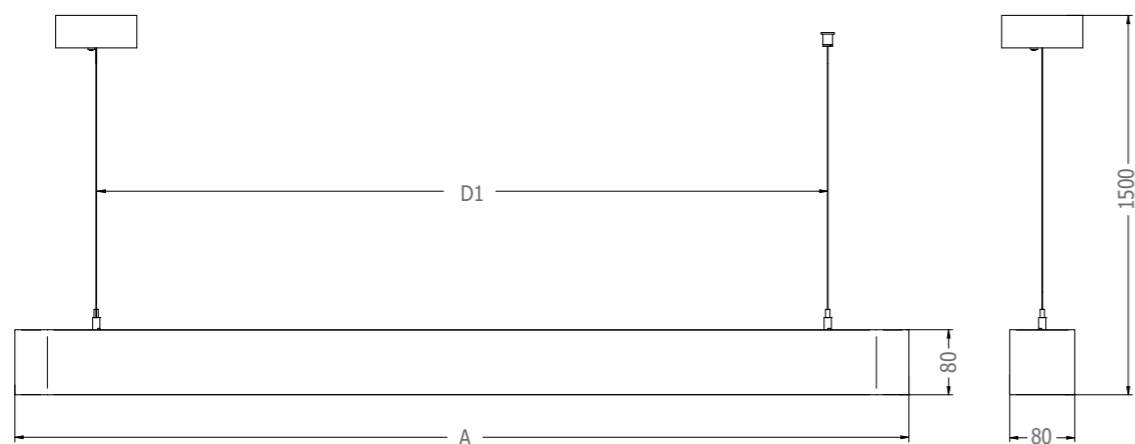


- Luminaire in the shape of a line with rounded edges
- Glamorous look which imparts modern character interiors
- Housing of the luminaire made of the aluminium profile
- Three sizes: small, medium, large
- Possibility of illuminance control
- Possibility of colour temperature control (tunable-white version)
- Possibility of up & down light distribution (Up&Down version)
- Suspended mounting or ceiling mounting
- Lifetime of LED sources: 60000 h L80/B10
- SDCM = 3
- LEDs photobiological safety class: RG0
- Operating temperature range: 5 ÷ 30° C
- Slings 1,5 m available as a set with the luminaire
- Type of diffuser: PLX (opalised diffuser PMMA)
- Power supply: electronic (standard) or DIM DALI (optional)

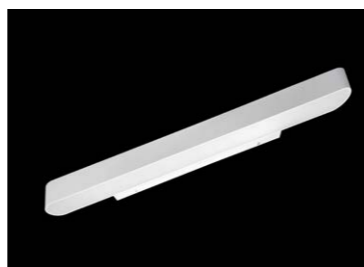
| Name                   | Size   | Luminaire power [W] | LED flux [lm] | Color of light [K] | CRI |
|------------------------|--------|---------------------|---------------|--------------------|-----|
| ARTSHAPE LINE LED 1000 | small  | 8                   | 950 / 990     | 3000 / 4000        | >80 |
| ARTSHAPE LINE LED 2000 | small  | 16                  | 1900 / 1980   | 3000 / 4000        | >80 |
| ARTSHAPE LINE LED 2000 | medium | 16                  | 1900 / 1980   | 3000 / 4000        | >80 |
| ARTSHAPE LINE LED 4000 | medium | 32                  | 3800 / 3960   | 3000 / 4000        | >80 |
| ARTSHAPE LINE LED 3000 | large  | 25                  | 2850 / 2970   | 3000 / 4000        | >80 |
| ARTSHAPE LINE LED 6000 | large  | 50                  | 5700 / 5940   | 3000 / 4000        | >80 |

Standard colors:  RAL7016 (anthracite)  RAL9016 (white)  RAL9005 (black)

### Dimensions:



| TYPE   | A (mm) | D1 (mm) |
|--------|--------|---------|
| SMALL  | 560    | 350     |
| MEDIUM | 1100   | 900     |
| LARGE  | 1640   | 1440    |



ARTSHAPE LINE WALL LED  
Version for mounting on the wall.  
Light distribution:  
- up & down  
- up or down





## ARTSHAPE X LED



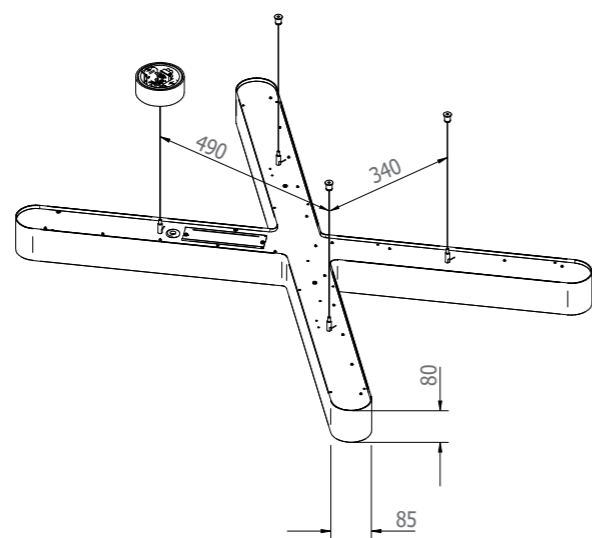
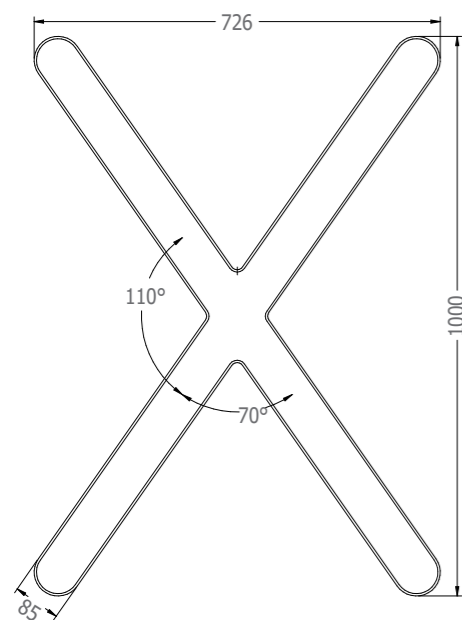
- Luminaire in the shape of a letter X
- Glamorous look which imparts modern character interiors
- Housing of the luminaire made of the aluminium profile
- Perfectly even surface emitting
- Possibility of illuminance control
- Suspended mounting or ceiling mounting

- Lifetime of LED sources: 60000 h L80/B10
- SDCM = 3
- LEDs photobiological safety class: RG0
- Operating temperature range: 5 ÷ 30° C
- Slings 1,5 m available as a set with the luminaire
- Type of diffuser: PLX (opalised diffuser PMMA)
- Power supply: electronic (standard) or DIM DALI (optional)

| Name                | Luminaire power [W] | LED flux [lm] | Color of light [K] | CRI |
|---------------------|---------------------|---------------|--------------------|-----|
| ARTSHAPE X LED 4000 | 31                  | 3800 / 3960   | 3000 / 4000        | >80 |
| ARTSHAPE X LED 8000 | 62                  | 7574 / 7920   | 3000 / 4000        | >80 |

Standard colors:  RAL7016 (anthracite)  RAL9016 (white)  RAL9005 (black)

### Dimensions:



## ARTSHAPE OVAL LED



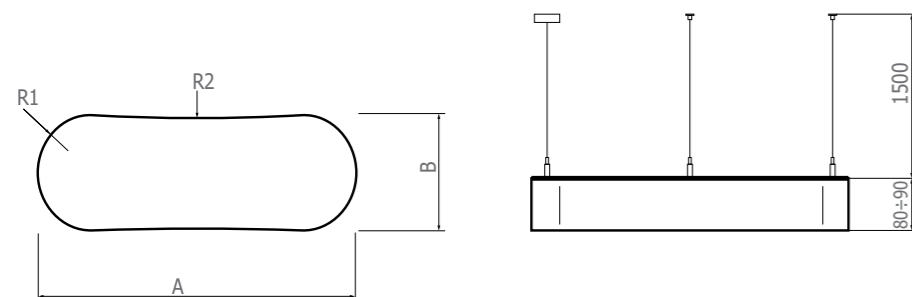
- Luminaire in the shape of ellipse and concave edges
- Glamorous look which imparts modern character interiors
- Housing of the luminaire made of the aluminium profile
- Three sizes: small, medium, large
- Perfectly even surface emitting
- Possibility of illuminance control
- Possibility of up & down light distribution (Up&Down version)
- Suspended mounting or ceiling mounting

- Lifetime of LED sources: 60000 h L80/B10
- SDCM = 3
- LEDs photobiological safety class: RG0
- Operating temperature range: 5 ÷ 30° C
- Slings 1,5 m available as a set with the luminaire
- Type of diffuser: PLX (opalised diffuser PMMA)
- Power supply: electronic (standard) or DIM DALI (optional)

| Name                | Size   | Luminaire power [W] | LED flux [lm] | Color of light [K] | CRI |
|---------------------|--------|---------------------|---------------|--------------------|-----|
| ARTSHAPE OVAL 3000  | small  | 28                  | 2840 / 2970   | 3000 / 4000        | >80 |
| ARTSHAPE OVAL 6000  | small  | 50                  | 5680 / 5940   | 3000 / 4000        | >80 |
| ARTSHAPE OVAL 4500  | medium | 35                  | 4255 / 4450   | 3000 / 4000        | >80 |
| ARTSHAPE OVAL 9000  | medium | 70                  | 8518 / 8910   | 3000 / 4000        | >80 |
| ARTSHAPE OVAL 6000  | large  | 50                  | 5680 / 5940   | 3000 / 4000        | >80 |
| ARTSHAPE OVAL 12000 | large  | 90                  | 11358 / 11880 | 3000 / 4000        | >80 |

Standard colors:  RAL7016 (anthracite)  RAL9016 (white)  RAL9005 (black)

### Dimensions:



| TYPE   | A (mm) | B (mm) | R1 (mm) | R2 (mm) |
|--------|--------|--------|---------|---------|
| SMALL  | 630    | 250    | 125     | 2495    |
| MEDIUM | 900    | 250    | 125     | 7500    |
| LARGE  | 1170   | 250    | 125     | 15000   |



# UNIVERSAL LINE LED

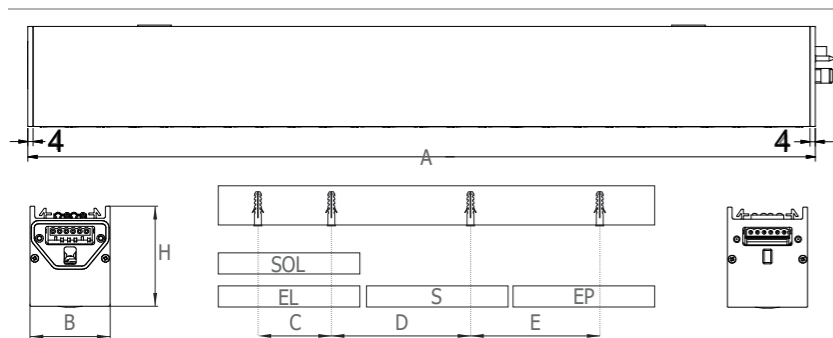


- Modern design
  - System created on aluminum profile base
  - Simple, quick and toolless assembly of lighting line
  - Possibility of applying the single luminaire version
  - Surface mounting or on slings
  - Available accessories: ceiling clamp, slings
- 
- Lifetime of LED sources: 100000 h L80/B10, 147000 h L70/B50
  - SDCM = 3
  - Operating temperature range: 5 ÷ 30° C
  - Type of optics: PLX (opalised diffuser PMMA), Micro-PRM (micro prismatic diffuser PMMA), lenses
  - Power supply: electronic (standard) or DIM DALI (optional)

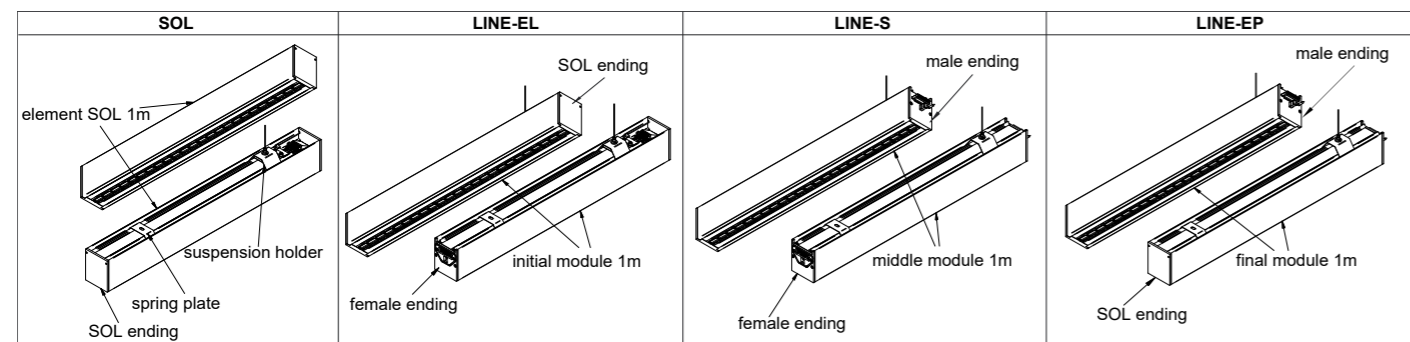
| Name                 | Version* | Module                        | Length | Luminaire power [W] | LED flux [lm] | Color of light [K] | CRI |
|----------------------|----------|-------------------------------|--------|---------------------|---------------|--------------------|-----|
| UNIVERSAL LINE 4400  | LED      | SOL, LINE-EL, LINE-S, LINE-EP | L-1200 | 28                  | 4410 / 4644   | 3000 / 4000        | >80 |
| UNIVERSAL LINE 8800  | LED      | SOL, LINE-EL, LINE-S, LINE-EP | L-2400 | 56                  | 8820 / 9288   | 3000 / 4000        | >80 |
| UNIVERSAL LINE 8000  | LED      | SOL, LINE-EL, LINE-S, LINE-EP | L-1200 | 53                  | 8052 / 8330   | 3000 / 4000        | >80 |
| UNIVERSAL LINE 16000 | LED      | SOL, LINE-EL, LINE-S, LINE-EP | L-2400 | 106                 | 16104 / 16660 | 3000 / 4000        | >80 |

\*LED-lighting luminaire  
 note: also available version:  
 3F-module equipped with three-phase connection busbar,  
 AL - empty aluminium profile,  
 Standard color: ■ anodised aluminium

## Dimensions:



| TYPE   | A (mm) | B (mm) | H (mm) | C (mm) | D (mm) | E (mm) |
|--------|--------|--------|--------|--------|--------|--------|
| L-1200 | 1159   | 60     | 75     | 930    | 1162   | 1162   |
| L-2400 | 2288   | 60     | 75     | 1990   | 2306   | 2306   |



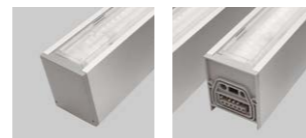
## Accessories:



Types of linear modules:



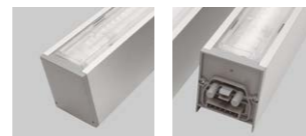
Initial module LINE-EL with the flat ending on the one side and female ending on the other. Module is suitable to connect the power.



Middle module LINE-S with male ending on the one side and female ending on the other.



Final module LINE-EP with male ending on the one side and flat ending on the other.



IP20 - Power connection.

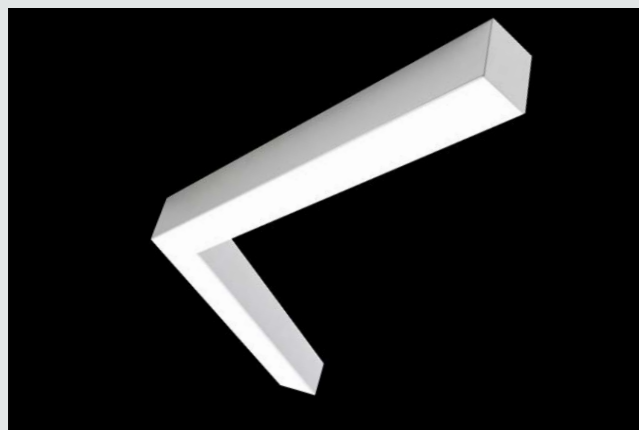
Type of optics:



Standard module to be connected in line with installed 3-phase, to plug spotlights and floodlights with 3-phase adaptor.



# SNAKE V LED

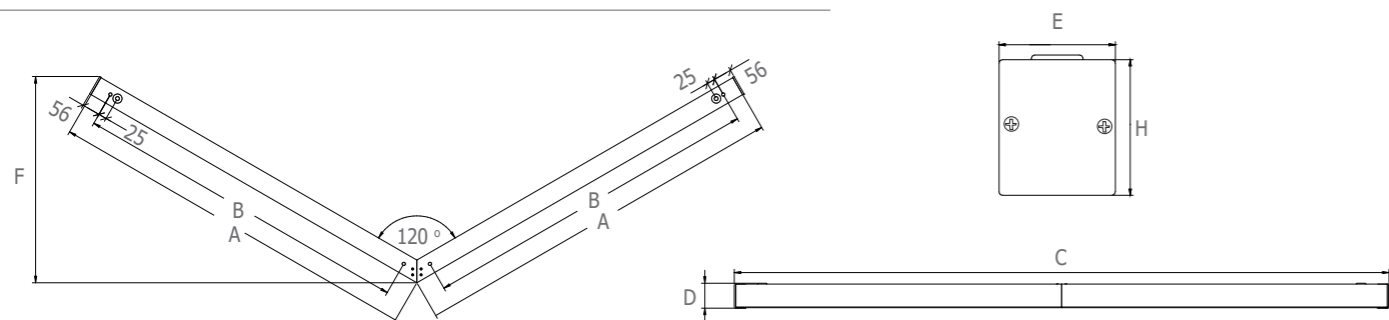


- Unconventional shape of luminaire
  - Recommended for modern arrangements
  - Equipped with highly efficient LED light sources
  - Housing of the luminaire made of the aluminium profile
  - Surface mounting or on slings
  - Available accessories: slings
- 
- Lifetime of LED sources: 100000 h L80/B10, 147000 h L70/B50
  - SDCM = 3
  - Operating temperature range: 5 ÷ 30° C
  - Type of optics: PLX (opalised diffuser PMMA), Micro-PRM (micro prismatic diffuser PMMA)
  - Power supply: electronic (standard) or DIM DALI (optional)

| Name             | Luminaire power [W] | LED flux [lm] | Color of light [K] | CRI |
|------------------|---------------------|---------------|--------------------|-----|
| SNAKE V LED 2600 | 17                  | 2698 / 2840   | 3000 / 4000        | >80 |
| SNAKE V LED 4400 | 28                  | 4410 / 4644   | 3000 / 4000        | >80 |
| SNAKE V LED 5200 | 34                  | 5396 / 5680   | 3000 / 4000        | >80 |
| SNAKE V LED 8800 | 56                  | 8820 / 9288   | 3000 / 4000        | >80 |

Standard colors:  anodised aluminium  RAL9016 (white)

### Dimensions:

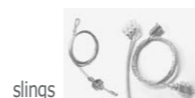


| TYPE | A (mm) | B (mm) | C (mm) | D (mm) | E (mm) | F (mm) | H (mm) |
|------|--------|--------|--------|--------|--------|--------|--------|
| 2600 | 590    | 476    | 1032   | 76     | 60     | 350    | 72     |
| 4400 | 590    | 476    | 1032   | 76     | 60     | 350    | 72     |
| 5200 | 1150   | 1036   | 2002   | 76     | 60     | 630    | 72     |
| 8800 | 1150   | 1036   | 2002   | 76     | 60     | 630    | 72     |



The luminaire is also available in Snake W LED version

### Accessories:



slings



## FLYING SURFACE LED



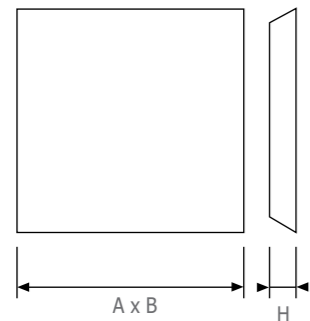
- Minimalist and universal design fitting to almost each room
- Product autorship by Jean Nouvel
- Simple architectural form allowing flexible arrangements and applications
- Diffuser is one surface evenly illuminated
- One of a kind illuminating effects
- Mounting directly on ceiling surface or on slings
- Available accessories: mounting clip, slings

- Lifetime of LED sources: 60000 h L80/B10
- SDCM = 3
- Operating temperature range: 5 ÷ 30° C
- Type of optics: white textile based on PCV
- Power supply: electronic (standard) or DIM DALI (optional)

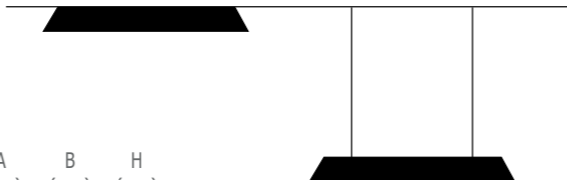
| Name                     | Luminaire power [W] | LED flux [lm] | Color of light [K] | CRI |
|--------------------------|---------------------|---------------|--------------------|-----|
| FLYING SURFACE LED 6400  | 50                  | 5681 / 5940   | 3000 / 4000        | >80 |
| FLYING SURFACE LED 9000  | 70                  | 8521 / 8910   | 3000 / 4000        | >80 |
| FLYING SURFACE LED 27200 | 200                 | 24616 / 25740 | 3000 / 4000        | >80 |
| FLYING SURFACE LED 27700 | 205                 | 25247 / 26400 | 3000 / 4000        | >80 |

Standard color:  RAL9016 (white)

Dimensions:



| TYPE  | A (mm) | B (mm) | H (mm) |
|-------|--------|--------|--------|
| 6400  | 740    | 740    | 100    |
| 9000  | 740    | 740    | 100    |
| 27200 | 1340   | 1340   | 100    |
| 27700 | 2000   | 1340   | 100    |



Accessories:



slings



mounting clip



## X-LINE SQ N LED

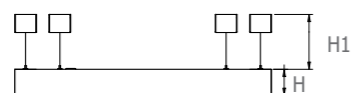
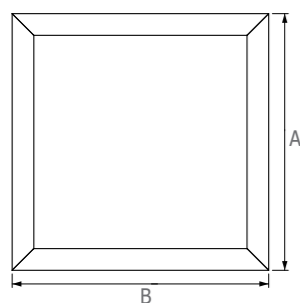


- Interesting, decorative and original effect
  - Simple architectural form allowing flexible arrangements and applications
  - The luminaire is the unity and without the connectors
  - Diffuser is one surface evenly illuminated
  - Housing of the luminaire made of the aluminium profile
  - Surface mounting or on slings
  - Available accessories: slings
- 
- Lifetime of LED sources: 100000 h L80/B10, 147000 h L70/B50
  - SDCM = 3
  - Operating temperature range: 5 ÷ 30° C
  - Type of optics: PLX (opalised diffuser PMMA), Micro-PRM (micro prismatic diffuser PMMA)
  - Power supply: electronic (standard) or DIM DALI (optional)

| Name                 | Luminaire power [W] | LED flux [lm] | Color of light [K] | CRI |
|----------------------|---------------------|---------------|--------------------|-----|
| X-LINE SQ N LED 5200 | 34                  | 5396 / 5680   | 3000 / 4000        | >80 |
| X-LINE SQ N LED 8800 | 56                  | 8820 / 9288   | 3000 / 4000        | >80 |

Standard color:  anodised aluminium

### Dimensions:



| TYPE | A (mm) | B (mm) | H (mm) | H1 (mm)  |
|------|--------|--------|--------|----------|
| 5200 | 642    | 642    | 72     | max.1500 |
| 8800 | 642    | 642    | 72     | max.1500 |

### Accessories:



slings



# ESSENCE LED

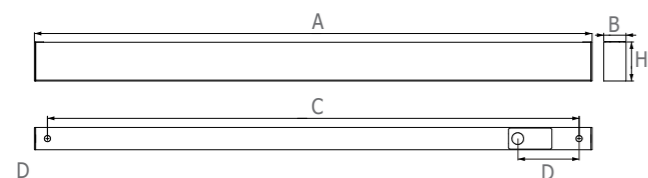


- Minimalist and universal design fitting to almost each room
  - Small size of luminaire
  - Luminaire made of aluminum
  - Equipped with highly efficient LED light sources
  - Surface mounting or on slings
  - Available accessories: slings
- 
- Lifetime of LED sources: 100000 h L80/B10, 147000 h L70/B50
  - SDCM = 3
  - Operating temperature range: 5 ÷ 30° C
  - Type of optics: PLX (opalised diffuser PMMA), Micro-PRM (micro prismatic diffuser PMMA)
  - Power supply: electronic (standard) or DIM DALI (optional)

| Name             | Lenght | Luminaire power [W] | LED flux [lm] | Color of light [K] | CRI |
|------------------|--------|---------------------|---------------|--------------------|-----|
| ESSENCE LED 3300 | 900    | 21                  | 3309 / 3483   | 3000 / 4000        | >80 |
| ESSENCE LED 2600 | 1200   | 17                  | 2698 / 2840   | 3000 / 4000        | >80 |
| ESSENCE LED 4400 | 1200   | 28                  | 4410 / 4644   | 3000 / 4000        | >80 |
| ESSENCE LED 5500 | 1500   | 35                  | 5515 / 5805   | 3000 / 4000        | >80 |
| ESSENCE LED 3900 | 1800   | 26                  | 4047 / 4260   | 3000 / 4000        | >80 |
| ESSENCE LED 6600 | 1800   | 42                  | 6615 / 6966   | 3000 / 4000        | >80 |

Standard colors:  RAL9006 (gray)  RAL9016 (white)  RAL9005 (black)

### Dimensions:



| TYPE | A (mm) | B (mm) | H (mm) | C (mm) | D (mm) |
|------|--------|--------|--------|--------|--------|
| 3300 | 854    | 36     | 63     | 750    | 55     |
| 2600 | 1134   | 36     | 63     | 1030   | 55     |
| 4400 | 1134   | 36     | 63     | 1030   | 55     |
| 5500 | 1414   | 36     | 63     | 1310   | 55     |
| 3900 | 1694   | 36     | 63     | 1590   | 55     |
| 6600 | 1694   | 36     | 63     | 1590   | 55     |

### Accessories:



slings





## BERYL N NEW LED O

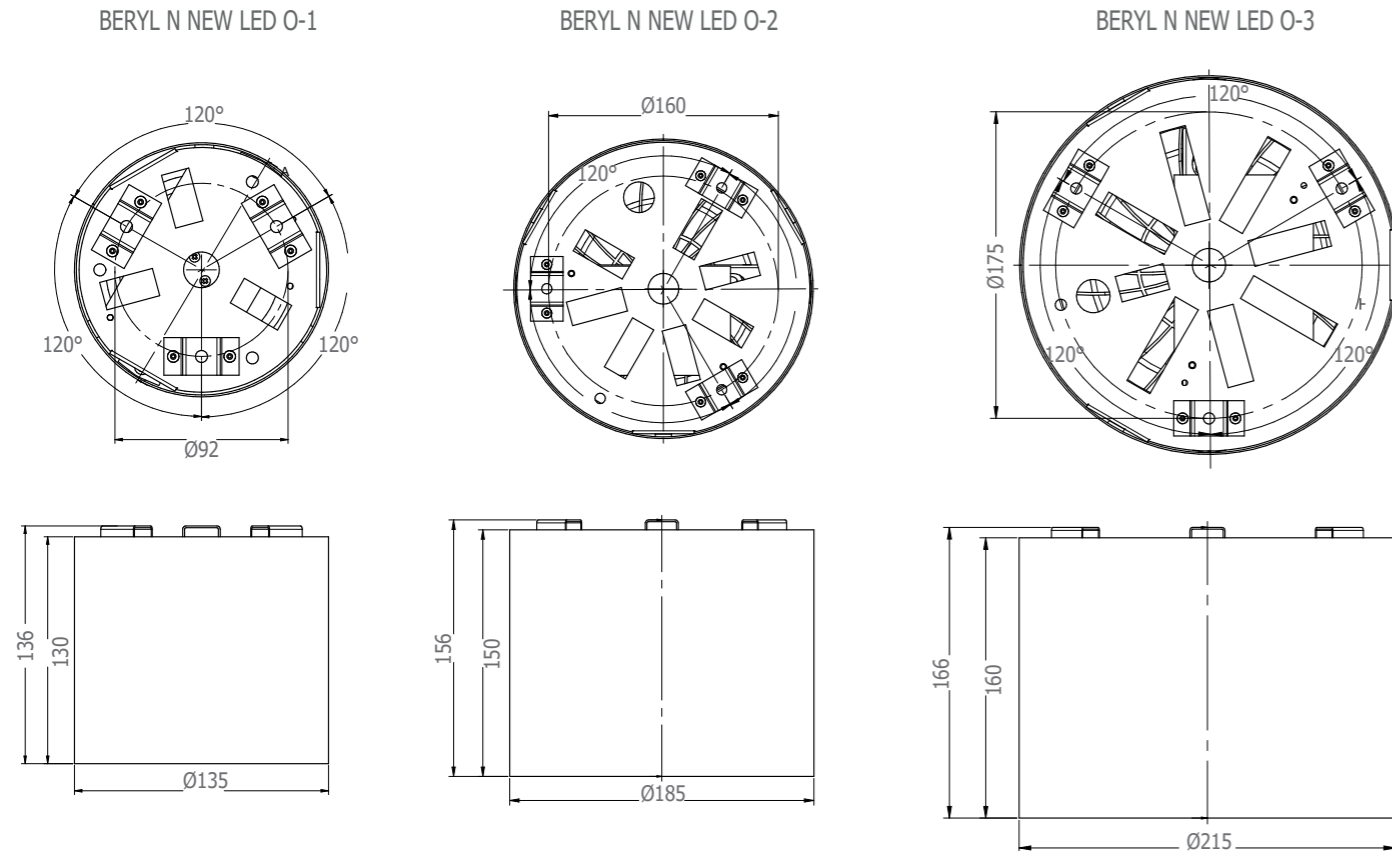


- Downlight luminaire
  - Energy saving product
  - Product available in three dimensions
  - Ceiling mounted
- 
- Lifetime of LED sources: 1800, 2800, 5400 - 83000 h (L90/B10); 3600 - 84000 h (L90/B10)
  - SDCM = 2
  - LEDs photobiological safety class: RG0
  - Operating temperature range: 5 ÷ 30° C
  - Type of diffuser: transparent PMMA, transparent glass, PLX (opalised diffuser PMMA), Micro-PRM (micro prismatic diffuser PMMA), SHM (hardened mat glass)
  - Power supply: electronic (standard) or DIM DALI (optional)

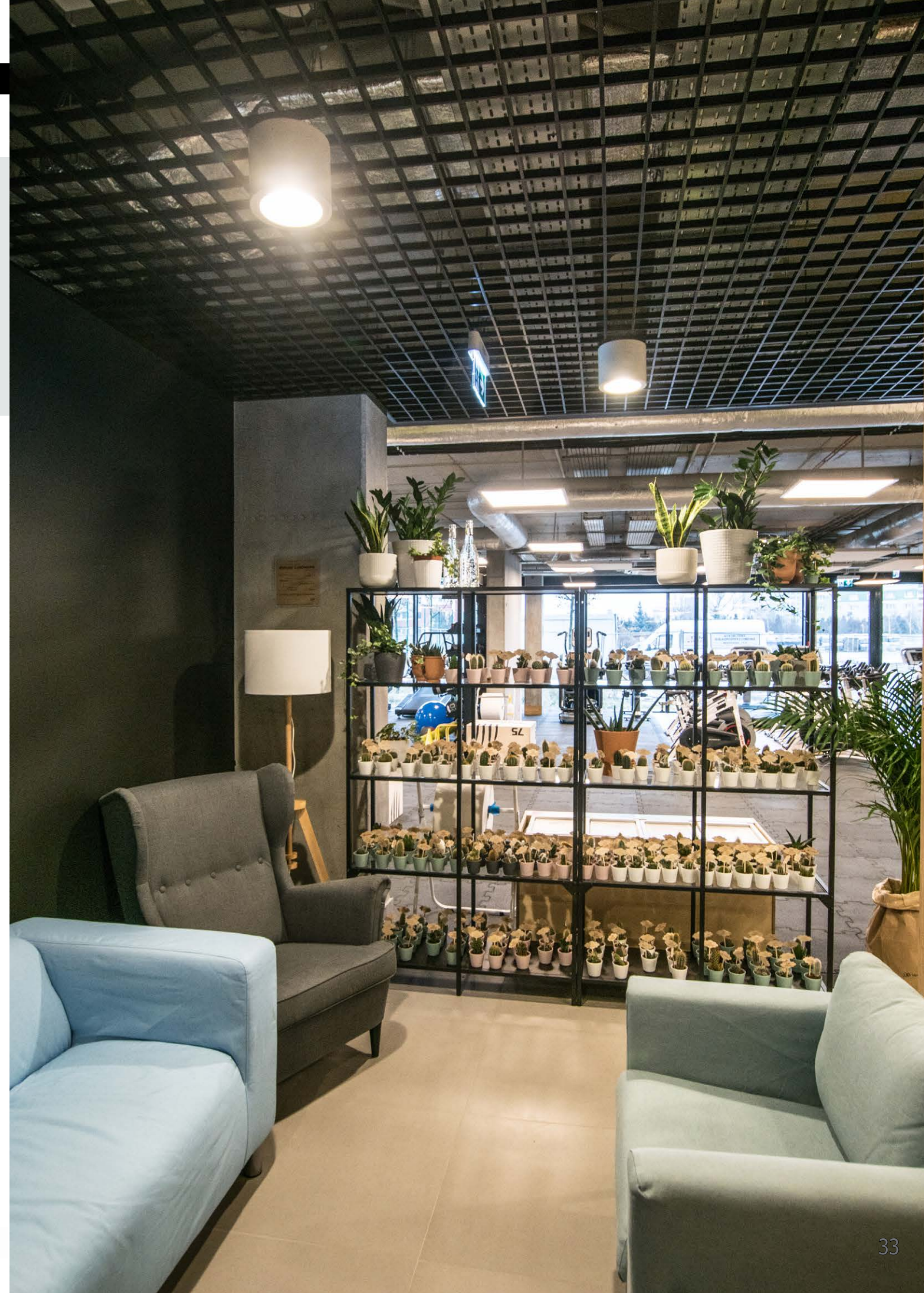
| Name                   | Type | Luminaire power [W] | LED flux [lm] | Color of light [K] | CRI |
|------------------------|------|---------------------|---------------|--------------------|-----|
| BERYL N NEW LED O 1800 | O-1  | 15                  | 1760 / 1820   | 3000 / 4000        | 85  |
| BERYL N NEW LED O 2800 | O-2  | 20                  | 2630 / 2805   | 3000 / 4000        | 85  |
| BERYL N NEW LED O 3600 | O-2  | 27                  | 3660 / 3875   | 3000 / 4000        | 85  |
| BERYL N NEW LED O 5400 | O-3  | 42                  | 5530 / 5720   | 3000 / 4000        | 85  |

Standard color:  RAL9016 (white)

Dimensions (for IP20 version)\*:



\* The dimensions of the IP44 luminaire are different than the IP20 version. Detailed technical drawings we recommend to check in the catalogue cards on our website [www.luxiona.pl/en](http://www.luxiona.pl/en)



# BERYL N NEW LED K

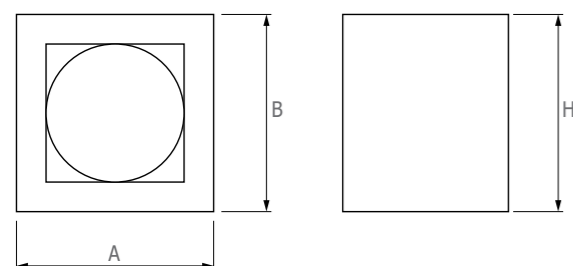


- Downlight luminaire
  - Two size versions of single module available (K-1 or K-2)
  - Available single version (one module) or double (two modules - L2)
  - Tilt and rotary optics
  - Ceiling mounted
- 
- Lifetime of LED sources: 1800 - 83000 h (L90/B10); 3600 - 84000 h (L90/B10)
  - SDCM = 2
  - Operating temperature range: 5 ÷ 30° C
  - Type of diffuser: transparent PMMA, transparent glass, PLX (opalised diffuser PMMA), Micro-PRM (micro prismatic diffuser PMMA), SHM (hardened mat glass)
  - Power supply: electronic (standard) or DIM DALI (optional)

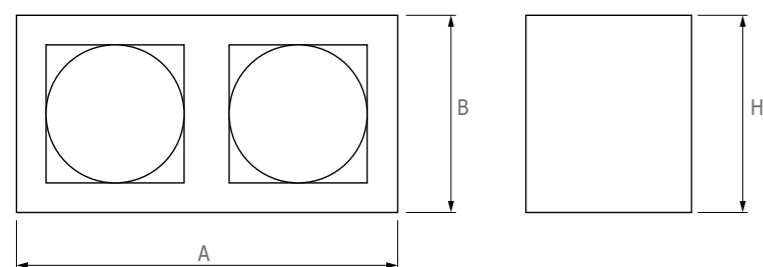
| Name                     | Type   | Luminaire power [W] | LED flux [lm] | Color of light [K] | CRI |
|--------------------------|--------|---------------------|---------------|--------------------|-----|
| BERYL N NEW LED K 1800   | K-1    | 15                  | 1760 / 1820   | 3000 / 4000        | 85  |
| BERYL N NEW LED K 3600   | K-2    | 28                  | 3660 / 3875   | 3000 / 4000        | 85  |
| BERYL N NEW LED K 2x1800 | K-1 L2 | 27                  | 3520 / 3640   | 3000 / 4000        | 85  |
| BERYL N NEW LED K 2x3600 | K-2 L2 | 54                  | 7320 / 7750   | 3000 / 4000        | 85  |

Standard colors:  RAL 9016 (white)  RAL9005 (black)

## Dimensions:



BERYL N NEW LED K-1 / K-2

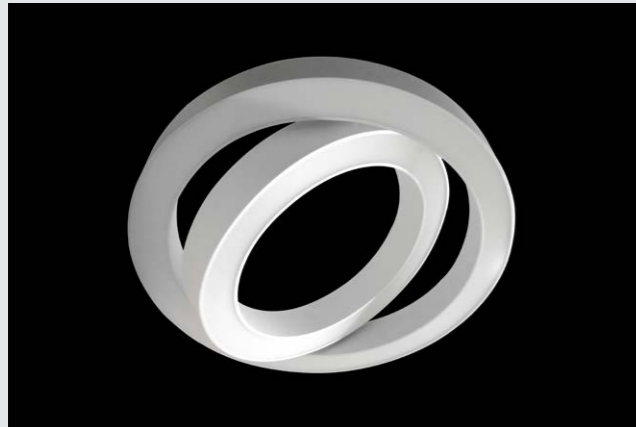


BERYL N NEW LED K-1 L2 / K-2 L2

| TYPE  | A (mm) | B (mm) | H (mm) |
|-------|--------|--------|--------|
| K1    | 130    | 130    | 154    |
| K2    | 181    | 181    | 192    |
| K1 L2 | 251    | 130    | 152    |
| K2 L2 | 341    | 167    | 180    |



## DOUBLE SPHERE LED



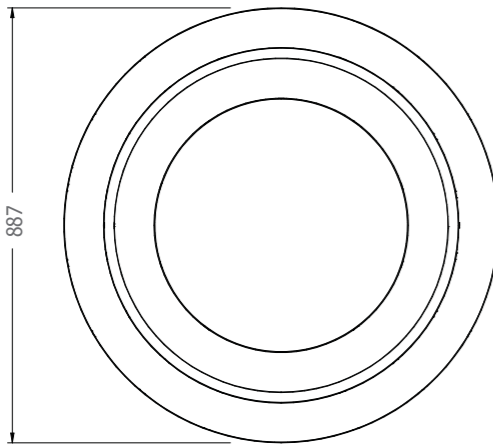
- Futuristic design
- Aluminum profile
- Two glowing rings that can be adjusted relative to each other
- Mounting on slings
- Slings available with the luminaire
- Designed for representative rooms such as halls, atria, museums, reception desks, shopping malls

- Lifetime of LED sources: 60000 h L80/B10
- SDCM = 3
- Operating temperature range: 5 ÷ 30° C
- Type of optics: PLX (opalised diffuser PMMA)
- Power supply: electronic (standard) or DIM DALI (optional)

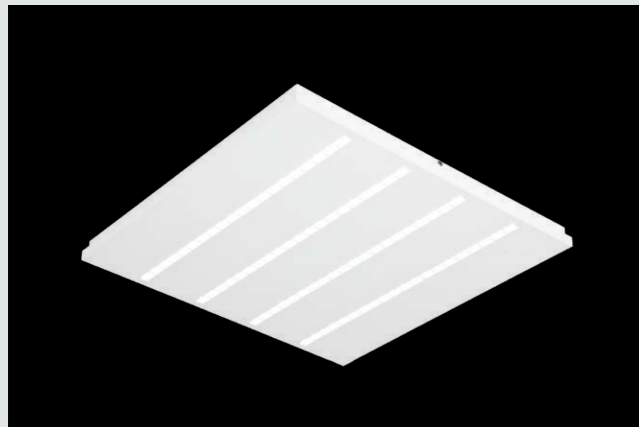
| Name              | Luminaire power [W] | LED Flux [lm] | Color of light [K] | CRI |
|-------------------|---------------------|---------------|--------------------|-----|
| DOUBLE SPHERE LED | 213                 | 25168         | 3000               | >80 |

Standard color:  RAL9016 (white)

Dimensions:



# ARUNA LED

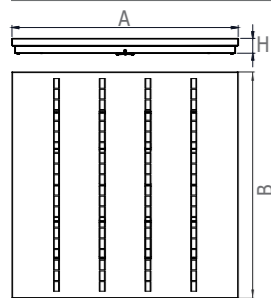


- Variety of available optical systems and wide range of luminous flux allows applying luminaires in any room, thanks to meeting numerous design requirements
  - Low luminaire
  - Product available in two dimensions
  - Four ways of luminaire mounting: in suspended modular ceilings, in plasterboard ceilings, directly on ceiling or on slings
  - Available accessories: adaptive frame for ceiling mounting, adaptive frame for mounting in suspended plasterboard ceilings, slings
- Lifetime of LED sources: 100000 h L80/B10 & L70/B50, 147000 h L70/B50
  - SDCM = 3
  - Operating temperature range: 5 ÷ 30° C
  - Type of optics: lenses
  - Power supply: electronic (standard) or DIM DALI (optional)

| Name            | Version | Size [mm]             | Luminaire power [W] | LED flux [lm] | Color of light [K] | CRI |
|-----------------|---------|-----------------------|---------------------|---------------|--------------------|-----|
| ARUNA LED 1300  | 1R      | 600 x 300 / 600 x 600 | 9                   | 1349 / 1420   | 3000 / 4000        | >80 |
| ARUNA LED 2200  | 1R      | 600 x 300 / 600 x 600 | 14                  | 2205 / 2322   | 3000 / 4000        | >80 |
| ARUNA LED 2600  | 1R      | 1200 x 300            | 17                  | 2698 / 2840   | 3000 / 4000        | >80 |
| ARUNA LED 4000  | 1R      | 600 x 300 / 600 x 600 | 29                  | 4026 / 4165   | 3000 / 4000        | >80 |
| ARUNA LED 4400  | 1R      | 1200 x 300            | 28                  | 4410 / 4644   | 3000 / 4000        | >80 |
| ARUNA LED 8000  | 1R      | 1200 x 300            | 57                  | 8052 / 8330   | 3000 / 4000        | >80 |
| ARUNA LED 2600  | 2R      | 600 x 300 / 600 x 600 | 17                  | 2698 / 2840   | 3000 / 4000        | >80 |
| ARUNA LED 4400  | 2R      | 600 x 300 / 600 x 600 | 28                  | 4410 / 4644   | 3000 / 4000        | >80 |
| ARUNA LED 5200  | 2R      | 1200 x 300            | 34                  | 5396 / 5680   | 3000 / 4000        | >80 |
| ARUNA LED 8000  | 2R      | 600 x 300 / 600 x 600 | 57                  | 8052 / 8330   | 3000 / 4000        | >80 |
| ARUNA LED 8800  | 2R      | 1200 x 300            | 56                  | 8820 / 9288   | 3000 / 4000        | >80 |
| ARUNA LED 16000 | 2R      | 1200 x 300            | 114                 | 16104 / 16660 | 3000 / 4000        | >80 |
| ARUNA LED 3900  | 3R      | 600 x 300 / 600 x 600 | 26                  | 4047 / 4260   | 3000 / 4000        | >80 |
| ARUNA LED 6600  | 3R      | 600 x 300 / 600 x 600 | 42                  | 6615 / 6966   | 3000 / 4000        | >80 |
| ARUNA LED 12000 | 3R      | 600 x 600             | 86                  | 12078 / 12495 | 3000 / 4000        | >80 |
| ARUNA LED 5200  | 4R      | 600 x 600             | 34                  | 5396 / 5680   | 3000 / 4000        | >80 |
| ARUNA LED 8800  | 4R      | 600 x 600             | 56                  | 8820 / 9288   | 3000 / 4000        | >80 |
| ARUNA LED 16000 | 4R      | 600 x 600             | 114                 | 16104 / 16660 | 3000 / 4000        | >80 |

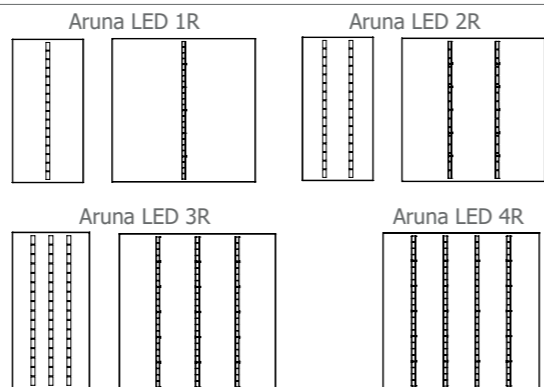
Standard color:  RAL 9016 (white)

Dimensions:

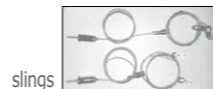
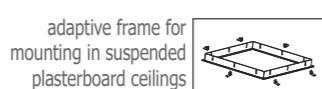


| TYPE       | A (mm) | B (mm) | H (mm) |
|------------|--------|--------|--------|
| 600 x 300  | 293    | 593    | 39     |
| 600 x 600  | 593    | 593    | 39     |
| 1200 x 300 | 293    | 1193   | 39     |

Versions:



Accessories:



# EUROPANEL LED

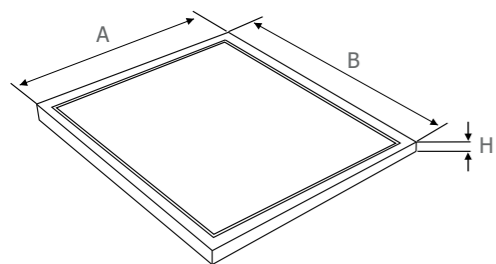


- Versatile luminaire characterized by low and slender profile and modern look
- Excellent lighting parameters allow applying the luminaire as a main light source, also when work requires fixating
- Housing made of aluminum
- Four ways of luminaire mounting: in suspended modular ceilings, in plasterboard ceilings, directly on ceiling or on slings
- Available accessories: adaptive frame for mounting in suspended plasterboard ceilings, adaptive frame for ceiling mounting
- Suspensions are included in suspended version
- Lifetime of LED sources: 63000 h L70/B50, 53000 h L80/B10
- SDCM = 3
- LEDs photobiological safety class: RG0
- Operating temperature range: 5 ÷ 30° C
- Type of optics: PLX (opalised diffuser PMMA), Micro-PRM (micro prismatic diffuser)
- Power supply: electronic (standard) or DIM DALI (optional), E-NF (non-flicker), E-VLF (very low flicker)

| Name               | Luminaire power [W] | LED flux [lm] | Color of light [K] | CRI |
|--------------------|---------------------|---------------|--------------------|-----|
| EUROPANEL LED 3800 | 27                  | 3545 / 3913   | 3000 / 4000        | >80 |
| EUROPANEL LED 4800 | 31                  | 5031 / 5204   | 3000 / 4000        | >80 |
| EUROPANEL LED 5800 | 40                  | 5318 / 5870   | 3000 / 4000        | >80 |

Standard color:  RAL9016 (white)

### Dimensions:



| TYPE           | A (mm) | B (mm) | H (mm) |
|----------------|--------|--------|--------|
| 3800/4800/5800 | 596    | 596    | 11     |
| 3800/5800      | 1196   | 296    | 11     |

PACKING:  
Two pieces in a box

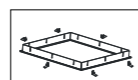
### Europanel Circle:



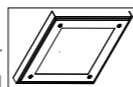
Luminaire with rounded hole in the housing, available for all luminous flux variants and 600x600 mm dimensions.

### Accessories:

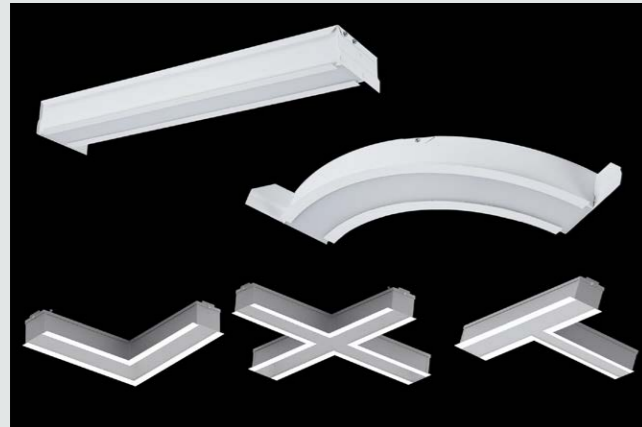
adaptive frame for mounting in suspended plasterboard ceilings



adaptive frame for ceiling mounting



# MOSAIC LED

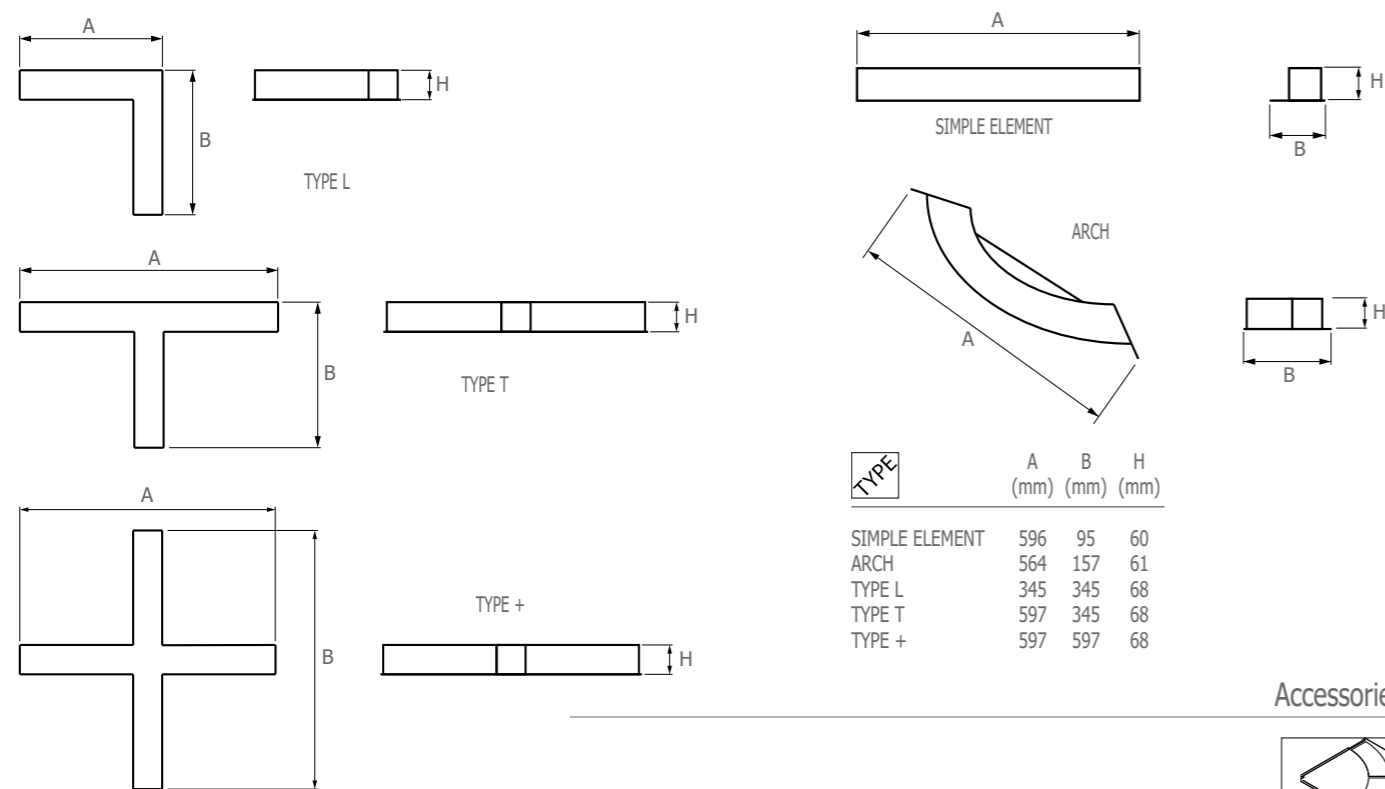


- Original aesthetic effect
  - Simplicity of obtaining appropriate illuminance in every part of the room
  - Mounting in suspended modular ceilings with visible type T24/A24 construction and in plasterboard ceilings
  - Available shapes of elements the system is built: simple element and an arch and also L, T, X shapes
  - Available accessories: Stencils to cut ceiling panels
- 
- Lifetime of LED sources: 60000 h & 100000 h L80/B10, 147000 h L70/B50
  - SDCM = 3
  - Operating temperature range: 5 ÷ 30° C
  - Type of optics: PLX (opalised diffuser PMMA)
  - Power supply: electronic (standard) or DIM DALI (optional)

| Name            | Type           | Luminaire Power [W] | LED Flux [lm] | Color of light [K] | CRI |
|-----------------|----------------|---------------------|---------------|--------------------|-----|
| MOSAIC LED 1300 | Simple element | 10                  | 1544 / 1625   | 3000 / 4000        | >80 |
| MOSAIC LED 2200 | Simple element | 14                  | 2205 / 2322   | 3000 / 4000        | >80 |
| MOSAIC LED 1100 | Arch           | 8                   | 1102 / 1152   | 3000 / 4000        | >80 |
| MOSAIC LED 1800 | Arch           | 14                  | 1800 / 1800   | 3000 / 4000        | >80 |
| MOSAIC LED 1300 | Type L         | 10                  | 1544 / 1625   | 3000 / 4000        | >80 |
| MOSAIC LED 2200 | Type L         | 14                  | 2206 / 2322   | 3000 / 4000        | >80 |
| MOSAIC LED 1950 | Type T         | 15                  | 2316 / 2438   | 3000 / 4000        | >80 |
| MOSAIC LED 3300 | Type T         | 21                  | 3309 / 3483   | 3000 / 4000        | >80 |
| MOSAIC LED 2600 | Type +         | 19                  | 3088 / 3251   | 3000 / 4000        | >80 |
| MOSAIC LED 4400 | Type +         | 28                  | 4412 / 4644   | 3000 / 4000        | >80 |

Standard color:  RAL 9016 (white)

### Dimensions:



### Accessories:



# MOSAIC SQ LED



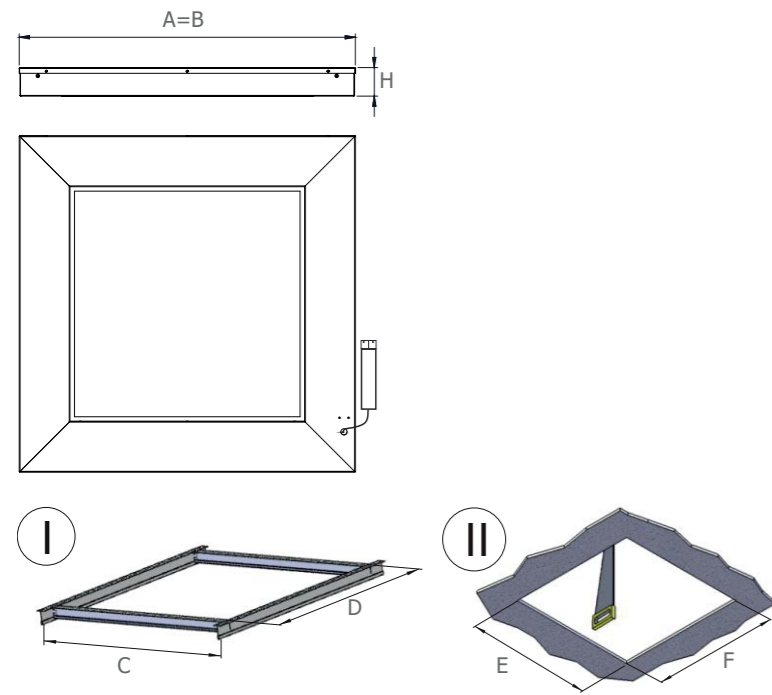
- Modern design
- Homogenous diffuser without visible gaps and clearance
- The effect of convergence between the luminaire and the ceiling
- Mounting in suspended modular ceilings with visible type T24/A24 construction and in plasterboard ceilings
- Adapting the luminaire to different types of ceilings upon request
- Available accessories: adaptive frame with clamps for mounting in suspended plasterboard ceilings

- Lifetime of LED sources: 100000 h L80/B10, 147000 h L70/B50
- SDCM = 3
- Operating temperature range: 5 ÷ 30° C
- Type of optics: PLX (opalised diffuser PMMA)
- Power supply: electronic (standard) or DIM DALI (optional)

| Name               | Luminaire power [W] | LED flux [lm] | Color of light [K] | CRI |
|--------------------|---------------------|---------------|--------------------|-----|
| MOSAIC SQ LED 5200 | 34                  | 5396 / 5680   | 3000 / 4000        | >80 |
| MOSAIC SQ LED 8800 | 56                  | 8820 / 9288   | 3000 / 4000        | >80 |

Standard color:  RAL9016 (white)

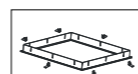
## Dimensions:



| TYPE | A (mm) | B (mm) | H (mm) | C (mm) | D (mm) | E (mm) | F (mm) |
|------|--------|--------|--------|--------|--------|--------|--------|
| 5200 | 596    | 596    | 51     | 600    | 600    | 610    | 610    |
| 8800 | 596    | 596    | 51     | 600    | 600    | 610    | 610    |

## Accessories:

adaptive frame for mounting in suspended plasterboard ceilings



# AGAT POS LED

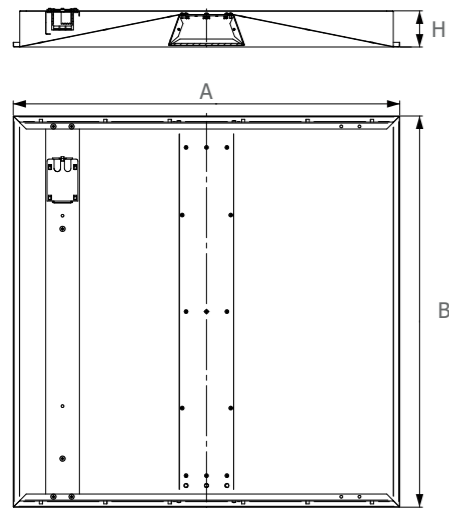


- Protection against light gleaming
  - Comfortable lighting for work station
  - Equipped with highly efficient LED light sources
  - Possibility of colour temperature control (tunable-white version)
  - Mounting in suspended modular ceilings with visible type T24/A24 construction and in plasterboard ceilings
  - Adapting the luminaire to different types of ceilings upon request
  - Available accessories: adaptive frame for mounting in suspended plasterboard ceilings
- Lifetime of LED sources: 100000 h L80/B10, 147000 h L70/B50
  - SDCM = 3
  - Operating temperature range: 5 ÷ 30° C
  - Type of optics: Micro-PRM / Micro-Line (micro prismatic diffuser)
  - Power supply: electronic (standard) or DIM DALI (optional)

| Name              | Luminaire power [W] | LED flux [lm] | Color of light [K] | CRI |
|-------------------|---------------------|---------------|--------------------|-----|
| AGAT POS LED 2600 | 17                  | 2698 / 2840   | 3000 / 4000        | >80 |
| AGAT POS LED 3900 | 26                  | 4047 / 4260   | 3000 / 4000        | >80 |
| AGAT POS LED 4400 | 28                  | 4410 / 4644   | 3000 / 4000        | >80 |
| AGAT POS LED 6600 | 42                  | 6615 / 6966   | 3000 / 4000        | >80 |
| AGAT POS LED 8800 | 56                  | 8820 / 9288   | 3000 / 4000        | >80 |

Standard color:  RAL9016 (white)

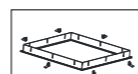
### Dimensions:



| TYPE | A (mm) | B (mm) | H (mm) |
|------|--------|--------|--------|
| 2600 | 596    | 596    | 55     |
| 3900 | 596    | 596    | 55     |
| 4400 | 596    | 596    | 55     |
| 6600 | 596    | 596    | 55     |
| 4400 | 1196   | 296    | 55     |
| 8800 | 1196   | 296    | 55     |

### Accessories:

adaptive frame for mounting in suspended plasterboard ceilings





## AGAT LED DECO SMOOTH

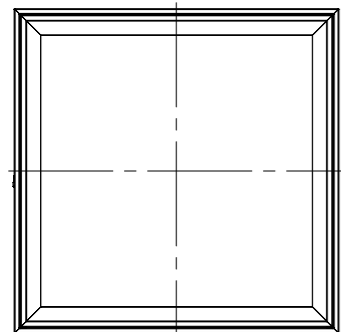
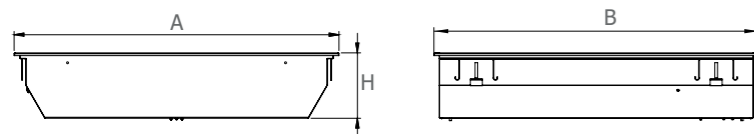



- Diffuser of the luminaire is placed above the ceiling level
  - Comfortable lighting for work station
  - Equipped with highly efficient LED light sources
  - Mounting in suspended modular ceilings with visible type T24/A24 construction and in plasterboard ceilings
  - Adapting the luminaire to different types of ceilings upon request
  - Available accessories: mounting clips for suspended plasterboard ceilings
- 
- Lifetime of LED sources: 54000 h L80/B10
  - SDCM = 3
  - Operating temperature range: 5 ÷ 30° C
  - Type of optics: PLX (opalised diffuser PMMA), Micro-PRM (micro prismatic diffuser PMMA)
  - Power supply: electronic (standard) or DIM DALI (optional)

| Name                      | Luminaire power [W] | LED flux [lm] | Color of light [K] | CRI |
|---------------------------|---------------------|---------------|--------------------|-----|
| AGAT LED DECO SMOOTH 5400 | 35                  | 5060 / 5340   | 3000 / 4000        | >80 |
| AGAT LED DECO SMOOTH 7500 | 51                  | 7090 / 7480   | 3000 / 4000        | >80 |

Standard color:  RAL9016 (white)

Dimensions:



| TYPE | A (mm) | B (mm) | H (mm) |  |
|------|--------|--------|--------|---|
| 5400 | 595    | 595    | 120    | 580x580   |
| 7500 | 595    | 595    | 120    | 580x580   |

Accessories:



[www.luxiona.pl/en](http://www.luxiona.pl/en)



## AGAT SLIM LED

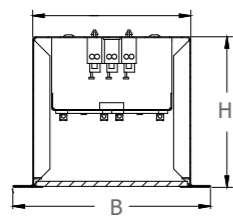
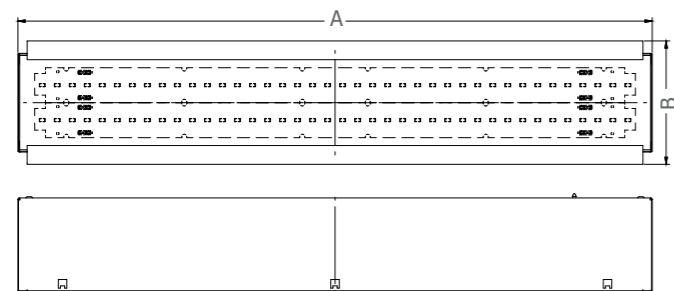


- Compact luminaire equipped with energy saving LED panels
- Evenly illuminated opalised diffuser
- Convenient power connection
- Dedicated for offices or utility rooms for general purpose
- Mounting in suspended modular ceilings with visible type T24/A24 construction
- Adapting the luminaire to different types of ceilings upon request
- 
- Lifetime of LED sources: 100000 h L80/B10, 147000 h L70/B50
- SDCM = 3
- Operating temperature range: 5 ÷ 30° C
- Type of optics: PLX (opalised diffuser PMMA), Micro-PRM (micro prismatic diffuser PMMA)
- Power supply: electronic (standard) or DIM DALI (optional)

| Name               | Luminaire power [W] | LED flux [lm] | Color of light [K] | CRI |
|--------------------|---------------------|---------------|--------------------|-----|
| AGAT SLIM LED 2600 | 17                  | 2698 / 2840   | 3000 / 4000        | >80 |
| AGAT SLIM LED 4400 | 28                  | 4410 / 4644   | 3000 / 4000        | >80 |
| AGAT SLIM LED 5200 | 34                  | 5396 / 5680   | 3000 / 4000        | >80 |

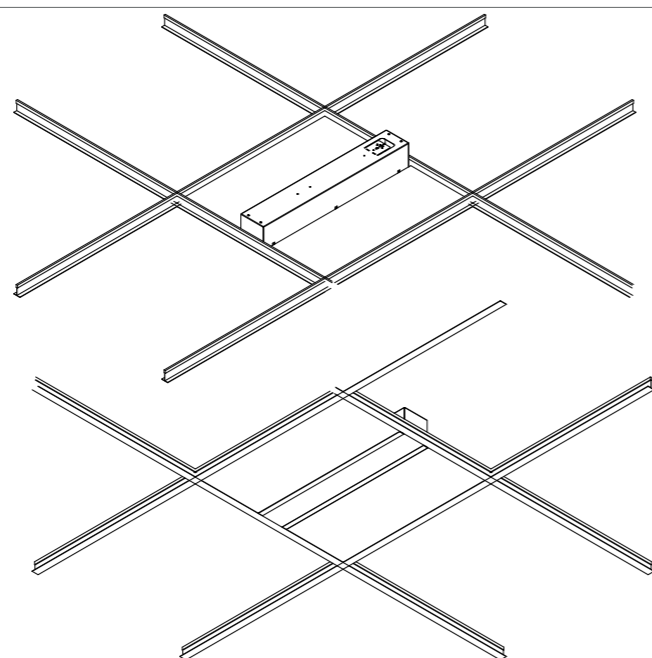
Standard color:  RAL9016 (white)

### Dimensions:



| TYPE      | A (mm) | B (mm) | h (mm) |
|-----------|--------|--------|--------|
| 2600/4400 | 591    | 115    | 88     |
| 5200      | 1196   | 115    | 88     |

### Mounting in a modular ceiling:



# PATOS O LED



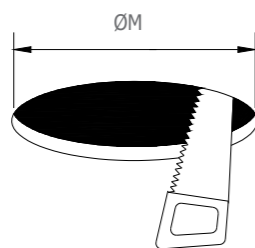
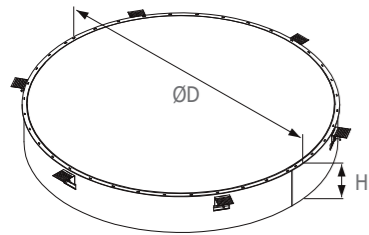
- Perfect to create interesting aesthetic effects in premises
- Wide range of applications
- Luminaire equipped with highly efficient LED light sources
- Housing of the luminaire made of the aluminium profile
- Diffuser made of material with very good light transmittance factor
- Mounting in suspended plasterboard ceilings

- Lifetime of LED sources: 60000 h L80/B10
- SDCM = 3
- Operating temperature range: 5 ÷ 30° C
- Type of optics: PLX (opalised diffuser PMMA)
- Power supply: electronic (standard) or DIM DALI (optional)

| Name              | Diameter [mm] | Luminaire power [W] | LED flux [lm] | Color of light [K] | CRI |
|-------------------|---------------|---------------------|---------------|--------------------|-----|
| PATOS O LED 1400  | 300           | 13                  | 1343 / 1400   | 3000 / 4000        | >80 |
| PATOS O LED 4200  | 450           | 37                  | 4029 / 4200   | 3000 / 4000        | >80 |
| PATOS O LED 8400  | 650           | 65                  | 8058 / 8400   | 3000 / 4000        | >80 |
| PATOS O LED 9800  | 800           | 71                  | 9401 / 9800   | 3000 / 4000        | >80 |
| PATOS O LED 12600 | 1000          | 111                 | 12087 / 12600 | 3000 / 4000        | >80 |
| PATOS O LED 19600 | 1200          | 169                 | 18802 / 19600 | 3000 / 4000        | >80 |

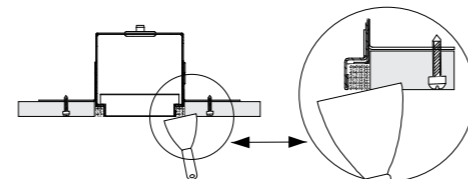
Standard color:  RAL9016 (white)

## Dimensions:



| TYPE  | D (mm) | H (mm) | ØM   |
|-------|--------|--------|------|
| 1400  | 324    | 150    | 330  |
| 4200  | 472    | 150    | 476  |
| 8400  | 672    | 150    | 676  |
| 9800  | 822    | 164    | 826  |
| 12600 | 1022   | 164    | 1026 |
| 19600 | 1222   | 164    | 1226 |

The luminaire is adapted to be flush with the ceiling:



# PATOS LINE LED

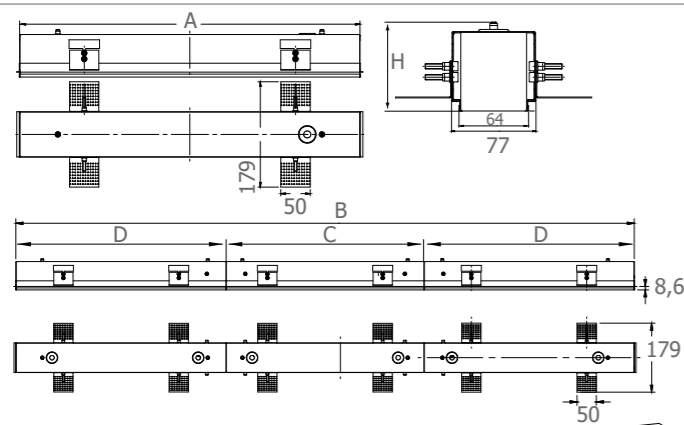


- Perfect to create interesting aesthetic effects in premises
  - Gives individual, modern character for the interior
  - Equipped with highly efficient LED light sources
  - Housing of the luminaire made of the aluminium profile
  - Diffuser made of material with very good light transmission coefficient
  - Possibility of connecting luminaires in a line
  - Mounting in suspended plasterboard ceilings
  - Available accessories: connectors and linear clips to build light lines
  - Possibility of building light lines by using dedicated connectors
- Lifetime of LED sources: 100000 h L80/B10, 147000 h L70/B50
  - SDCM = 3
  - Operating temperature range: 5 ÷ 30° C
  - Type of optics: PLX (opalised diffuser PMMA)
  - Power supply: electronic (standard) or DIM DALI (optional)

| Name                | Length | Luminaire power [W] | LED flux [lm] | Color of light [K] | CRI |
|---------------------|--------|---------------------|---------------|--------------------|-----|
| PATOS LINE LED 1300 | L-600  | 9                   | 1349 / 1420   | 3000 / 4000        | >80 |
| PATOS LINE LED 2200 | L-600  | 14                  | 2205 / 2322   | 3000 / 4000        | >80 |
| PATOS LINE LED 1950 | L-900  | 13                  | 2022 / 2130   | 3000 / 4000        | >80 |
| PATOS LINE LED 3300 | L-900  | 21                  | 3309 / 3483   | 3000 / 4000        | >80 |
| PATOS LINE LED 2600 | L-1200 | 17                  | 2698 / 2840   | 3000 / 4000        | >80 |
| PATOS LINE LED 4400 | L-1200 | 28                  | 4410 / 4644   | 3000 / 4000        | >80 |
| PATOS LINE LED 3250 | L-1400 | 21                  | 3370 / 3550   | 3000 / 4000        | >80 |
| PATOS LINE LED 5500 | L-1400 | 35                  | 5515 / 5805   | 3000 / 4000        | >80 |
| PATOS LINE LED 3900 | L-1800 | 26                  | 4047 / 4260   | 3000 / 4000        | >80 |
| PATOS LINE LED 6600 | L-1800 | 42                  | 6615 / 6966   | 3000 / 4000        | >80 |
| PATOS LINE LED 5200 | L-2300 | 34                  | 5396 / 5680   | 3000 / 4000        | >80 |
| PATOS LINE LED 8800 | L-2300 | 56                  | 8820 / 9288   | 3000 / 4000        | >80 |

Standard color:  RAL9016 (white)

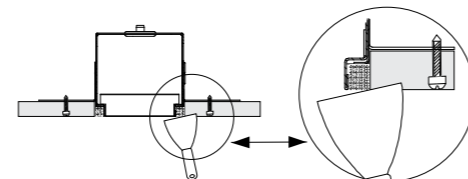
### Dimensions:



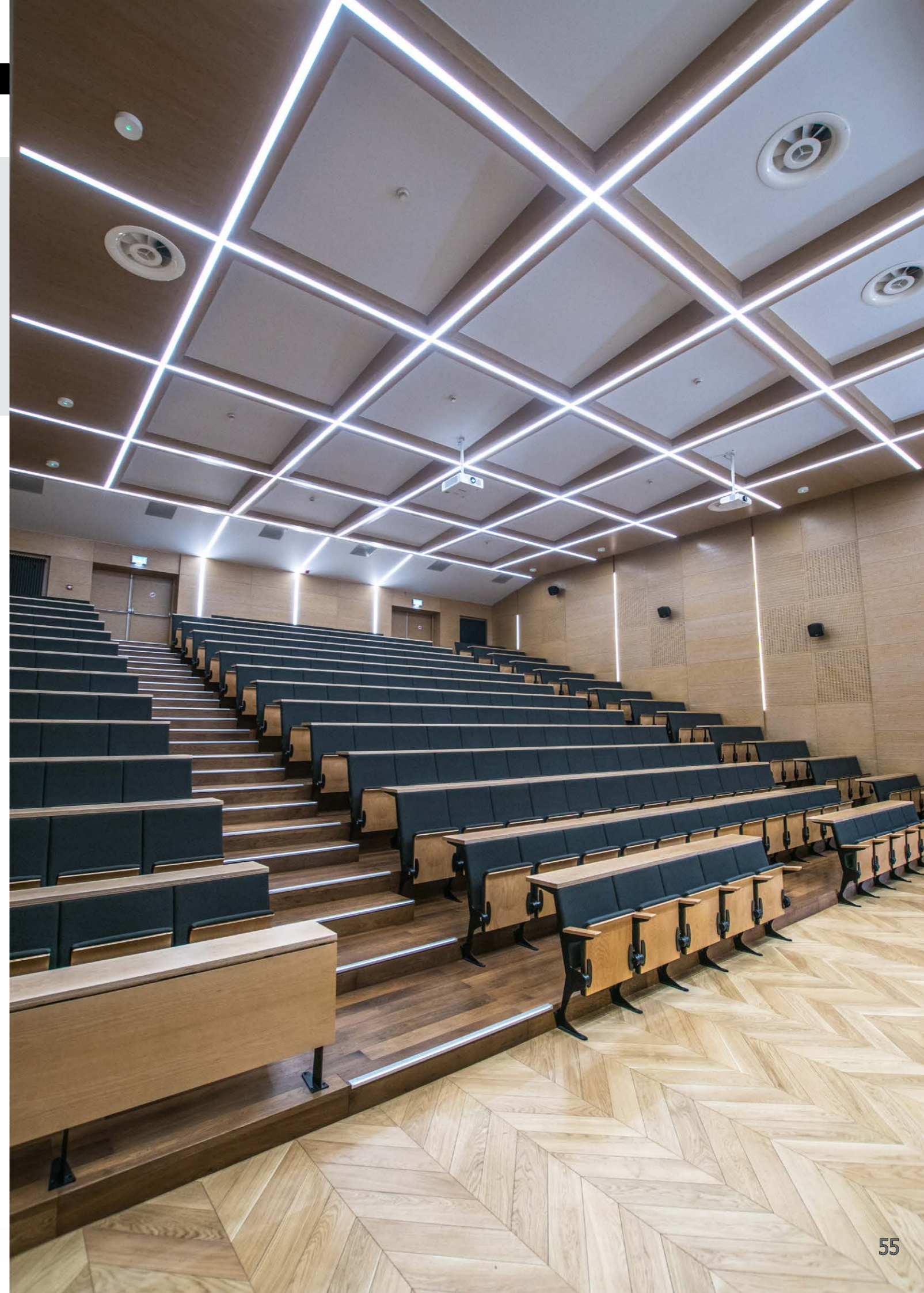
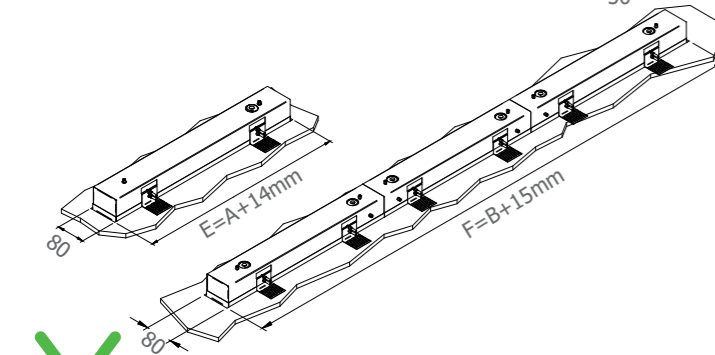
| TYPE      | A (mm) | B (mm) | C (mm) | D (mm) | E (mm) | F (mm) | H (mm) |
|-----------|--------|--------|--------|--------|--------|--------|--------|
| 1300/2200 | 566    | 1689   | 562    | 563    | 580    | 1704   | 81     |
| 1950/3300 | 846    | 2528   | 842    | 843    | 860    | 2543   | 81     |
| 2600/4400 | 1126   | 3368   | 1122   | 1123   | 1140   | 3383   | 81     |
| 3250/5500 | 1406   | 4208   | 1402   | 1403   | 1420   | 4223   | 81     |
| 3900/6600 | 1686   | 5048   | 1682   | 1683   | 1700   | 5063   | 81     |
| 5200/8800 | 2246   | 6728   | 2242   | 2243   | 2260   | 6743   | 81     |

- A - length of a singular luminaire
- B - length of the sample light-line
- C - length of the luminaire's internal housing
- D - length of the luminaire's final/external housing
- E - length of the mounting hole/fitting opening in the ceiling for single luminaire
- F - length of the mounting hole/fitting opening in an exemplary light-line

The luminaire is adapted to be flush with the ceiling:



### Accessories:



## BERYL NEW LED O

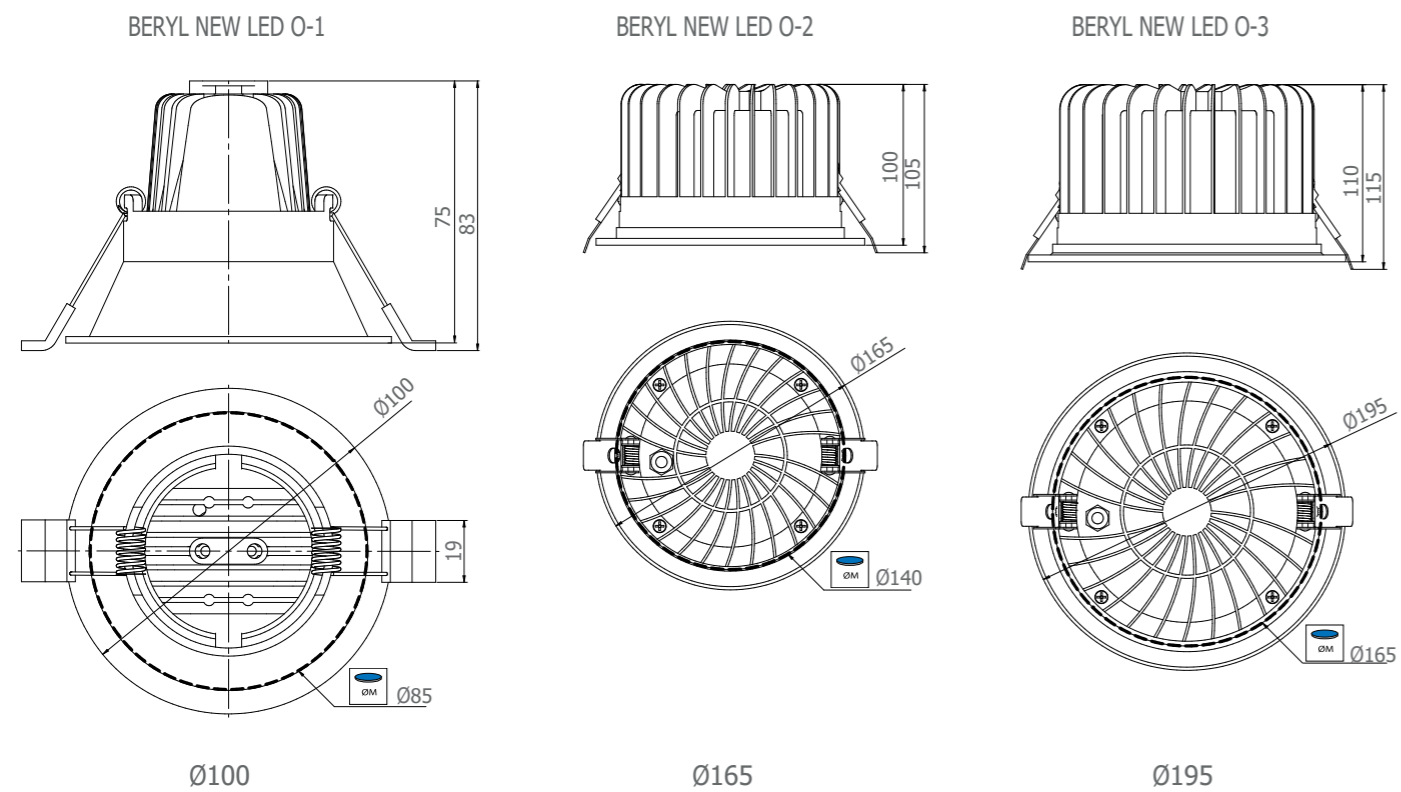


- Downlight luminaire
- Light construction not weighting down the ceiling
- The housing made of aluminium sheet
- Product available in three dimensions
- Possibility of colour temperature control (tunable-white version)
- Mounting on suspended plasterboard ceilings or on modular ceilings
- Lifetime of LED sources: 1800, 2800, 5400 - 83000 h (L90/B10); 3600 - 84000 h (L90/B10)
- SDCM = 2
- LEDs photobiological safety class: RG0
- Operating temperature range: 5 ÷ 30° C
- Type of diffuser: transparent PMMA, transparent glass, PLX (opalised diffuser PMMA), Micro-PRM (micro prismatic diffuser PMMA), SHM (hardened mat glass)
- Power supply: electronic (standard) or DIM DALI (optional)

| Name                 | Type | Luminaire power [W] | LED flux [lm] | Color of light [K] | CRI |
|----------------------|------|---------------------|---------------|--------------------|-----|
| BERYL NEW LED O 1800 | O-1  | 15                  | 1760 / 1820   | 3000 / 4000        | 85  |
| BERYL NEW LED O 2800 | O-2  | 20                  | 2630 / 2805   | 3000 / 4000        | 85  |
| BERYL NEW LED O 3600 | O-2  | 28                  | 3660 / 3875   | 3000 / 4000        | 85  |
| BERYL NEW LED O 5400 | O-3  | 42                  | 5530 / 5720   | 3000 / 4000        | 85  |

Standard color:  RAL9016 (white)

Dimensions:



# BERYL NEW LED K



- Downlight luminaire
- Two size versions of single module available (K-1 or K-2)
- Available single version (one module), double (two modules - L2), triple (three modules) and quadro linear L4 or square S4
- Tilt and rotary optics
- Mounting on suspended plasterboard ceilings or on modular ceilings
- Lifetime of LED sources: 1800, 2800 - 83000 h (L90/B10); 3600 - 84000 h (L90/B10)
- SDCM = 2
- Operating temperature range: 5 ÷ 30° C
- Type of diffuser: transparent PMMA, transparent glass, PLX (opalised diffuser PMMA), Micro-PRM (micro prismatic diffuser PMMA), SHM (hardened mat glass)
- Power supply: electronic (standard) or DIM DALI (optional)

| Name                   | Type            | Luminaire power [W] | LED Flux [lm] | Barwa [K]   | CRI |
|------------------------|-----------------|---------------------|---------------|-------------|-----|
| BERYL NEW LED K 1800   | K-1             | 15                  | 1760 / 1820   | 3000 / 4000 | 85  |
| BERYL NEW LED K 2800   | K-2             | 20                  | 2630 / 2805   | 3000 / 4000 | 85  |
| BERYL NEW LED K 3600   | K-2             | 27                  | 3660 / 3875   | 3000 / 4000 | 85  |
| BERYL NEW LED K 2x1800 | K-1 L2          | 29                  | 3520 / 3640   | 3000 / 4000 | 85  |
| BERYL NEW LED K 2x2800 | K-2 L2          | 39                  | 5260 / 5610   | 3000 / 4000 | 85  |
| BERYL NEW LED K 2x3600 | K-2 L2          | 54                  | 7320 / 7750   | 3000 / 4000 | 85  |
| BERYL NEW LED K 3x1800 | K-1 L3          | 43                  | 5280 / 5460   | 3000 / 4000 | 85  |
| BERYL NEW LED K 3x2800 | K-2 L3          | 59                  | 7890 / 8415   | 3000 / 4000 | 85  |
| BERYL NEW LED K 3x3600 | K-2 L3          | 82                  | 10980 / 11625 | 3000 / 4000 | 85  |
| BERYL NEW LED K 4x1800 | K-1 L4 / K-1 S4 | 54                  | 7040 / 7280   | 3000 / 4000 | 85  |
| BERYL NEW LED K 4x2800 | K-2 L4 / K-2 S4 | 78                  | 10520 / 11220 | 3000 / 4000 | 85  |
| BERYL NEW LED K 4x3600 | K-2 L4 / K-2 S4 | 109                 | 14640 / 15500 | 3000 / 4000 | 85  |

Standard color:  RAL 9016 (white)

## Dimensions:

| TYPE   | A (mm) | B (mm) | H (mm) |
|--------|--------|--------|--------|
| K-1    | 115    | 115    | 98     |
| K-2    | 160    | 160    | 136    |
| K-1 L2 | 236    | 119    | 99     |
| K-2 L2 | 326    | 164    | 135    |
| K-1 L3 | 353    | 119    | 99     |
| K-2 L3 | 488    | 164    | 137    |
| K-1 L4 | 472    | 119    | 99     |
| K-2 L4 | 650    | 164    | 137    |
| K-1 S4 | 236    | 236    | 97     |
| K-2 S4 | 326    | 326    | 135    |



# LUXIONA



## OFFICE OF THE MANAGEMENT BOARD /TRADE OFFICE:

LUXIONA Poland S.A. Macierzysz near Warsaw  
ul. Sochaczewska 110,  
05-850 Ozarow Mazowiecki  
sekretariat@luxiona.com

[www.luxiona.pl/en](http://www.luxiona.pl/en)

[www.luxiona.com](http://www.luxiona.com)

## EXPORT DEPARTMENT:

UK, IR  
+48 600 987 439  
export@luxiona.com

DE, AT, CH, LI  
+49 30 40535600  
info@luxiona.de

SE, NO, DK, IS, BE, NL, LU  
+ 48 505 695 581  
export@luxiona.com

LT, EE, FI, RU, UA, LV, BY, MD, GE,  
AM, AZ, KZ, UZ, TM, TJ, KG  
+ 370 650 22 522  
export@luxiona.com

HR, HU, RO, XS, SI  
+48 505 695 568  
export@luxiona.com

CZ, SK, BA, ME, MK, XK, AL, BG  
+ 48 604 442 101  
export@luxiona.com

## DESIGN DEPARTMENT:

+ 48 22 721 72 29  
+ 48 600 460 144  
projektanci@luxiona.com

LUXIONA Poland is part of the Spanish LUXIONA Group, which for 90 years has been successfully operating on the international market of the lighting industry. The mission of LUXIONA Poland is to create complementary lighting solutions, in accordance with the most recent technologies as well as legal and social requirements. For that reason, an active team constantly works on innovative technical solutions, keeping in mind the need for saving energy and protecting the environment. The team does not cease to enhance the quality of our products and the efficiency of our services, permanently analyzing the needs of our Customers.

The LUXIONA Group, including LUXIONA Poland which continues to implement the Group strategy, specializes in the composition and creation of indoor and outdoor lighting systems, basing on the vast experts' experience and the broad scope of product brands. An integral part in the offer of LUXIONA Poland are comprehensive lighting solutions, which cover both the production and design services, in the widest sense of the word, delivered by high class designers and ready to meet the requirements of, among others: architectural spaces, areas in the so-called clean rooms, commercial surfaces etc. The LUXIONA Poland team specializes in implementing projects which require an individual approach and the application of modern technologies.